



 itimat

HAKKIMIZDA

İmalat tecrübesi 1979 yılına kadar uzanan ve 2006 yılından beri 'İtimat Otomotiv' adı altında üretim yapan kuruluşumuz ticari araç üst yapı üreticileri için 400 çeşitten fazla ürün tedarik etmektedir. Ürün çeşitliliği bu boyutlarda olan bir fabrika esnek üretim sistemlerine ihtiyaç duyar. İtimat, uygun stok düzeyi ve iş gücü ile dengeli bir üretim hattı kullanarak siparişlerin eksiksiz ve zamanında teslim edilmesini amaçlar. İtimat, sektördeki kalite anlayışının daima gelişmesi gerektiğine inanır ve ürün kalitesini bu gelişime entegre ederek hep ileri taşır. Ticari araç üst yapı üreticilerinin hem fonksiyonel, hem de estetik olarak daha gelişmiş ürünlere ihtiyaç duyacağını bilen İtimat, bu ihtiyacı uygun tasarım ve fiyat çerçevesinde ele alır ve ürün çeşitliliğini sürekli artırarak müşteri beklentilerinin en iyi şekilde karşılanmasını sağlar.



ABOUT US

'İtimat Otomotiv' has been supplying more than 400 products for its customers since 2006, with the experience of manufacturing for more than 30 years. This case of having hundreds of product types, requires flexible manufacturing systems. İtimat aims to deliver its customers' orders at the right time and the right amount by using a balanced manufacturing system with the right stock level and labor force. İtimat believes that the sense of quality in the market should grow constantly and it improves its product quality, integrated with the market. For all the new more functionally and aesthetically advanced products needed by the customers, İtimat provides them in effective designing and fair prices.



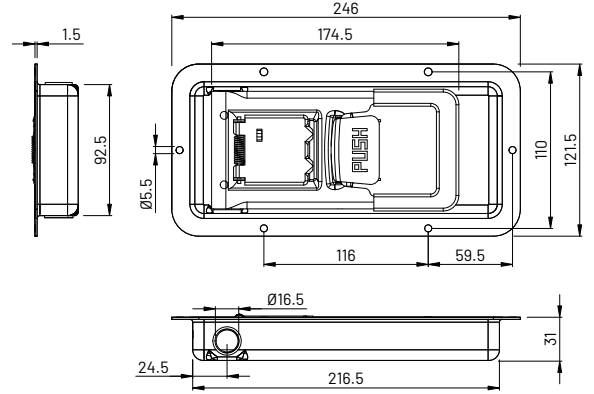
| | |
|---|---------|
| Kapı Kilitleme Ürünleri Door Locking Products | 7-28 |
| Kapalı Kasa Menteşeleri Closed Box Hinges | 29-39 |
| PVC Profiller PVC Profiles | 40-42 |
| Takozlar Rubber Buffers | 43-47 |
| Et Asma Ürünleri Meat Hanging Products | 48-50 |
| Havalandırma Ürünleri Ventilation Products | 51 |
| Treyler Kapak Ürünleri Trailer Pillars, Locks, Hinges | 53-67 |
| Branda Ürünleri Curtain Products | 68-73 |
| Yan Bariyer Ürünleri Underrun Protection Products | 74-76 |
| Merdivenler Ladders | 77 |
| Çamurluk Ürünleri Mudguards | 78-81 |
| Ahşap ve Damper Kasa Ürünleri Open Box Products | 83-111 |
| Yük ve Araç Sabitleme Ürünleri Load & Truck Fixing Products | 112-117 |
| Dolap ve Depolar Boxes and Tanks | 118-120 |





Kapı Kilitleme Ürünleri

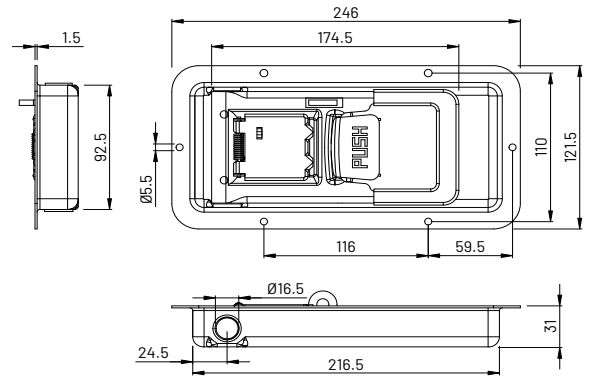
Door Locking Products



Gömme Kilit Küçük Anahtarlı

Recessed Door Lock, Key Operated Small

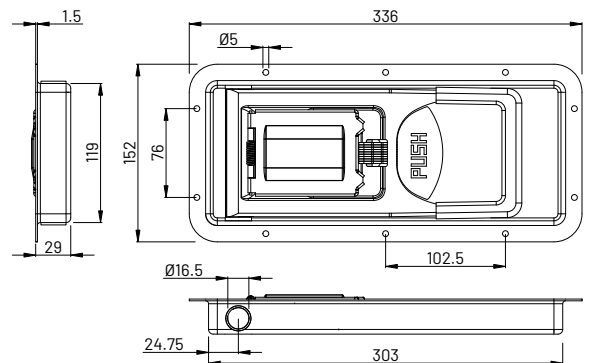
| Galvanizli (ZP) | 450-K10-001 | 0,990 | 15 |
|-----------------|-------------|-------|----|
| Krom (SS) | 450-K10-002 | | |



Gömme Kilit Küçük Anahtarlı & Asma Kilitli

Recessed Door Lock, Key & Padlock Operated Small

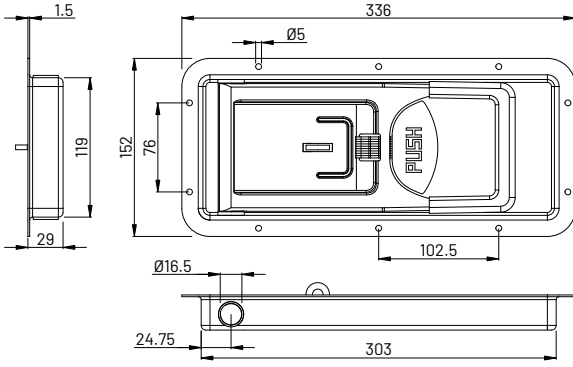
| Galvanizli (ZP) | 450-K10-017 | 1,010 | 15 |
|-----------------|-------------|-------|----|
| Krom (SS) | 450-K10-018 | | |



Gömme Kilit Büyük Anahtarlı

Recessed Door Lock, Key Operated Large

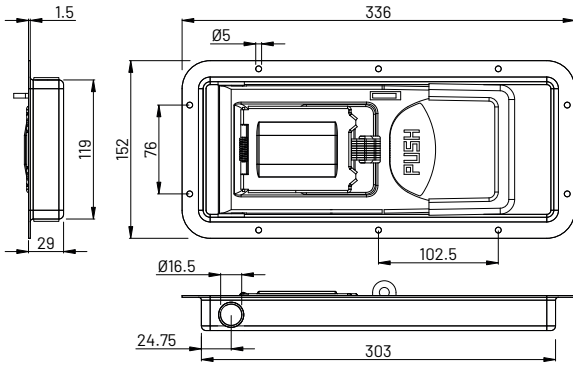
| Galvanizli (ZP) | 450-K10-005 | 1,730 | 10 |
|-----------------|-------------|-------|----|
| Krom (SS) | 450-K10-006 | | |



Gömme Kilit Büyük Asma Kilitli
Recessed Door Lock, Padlock Operated Large

Galvanizli (ZP)
Krom (SS)

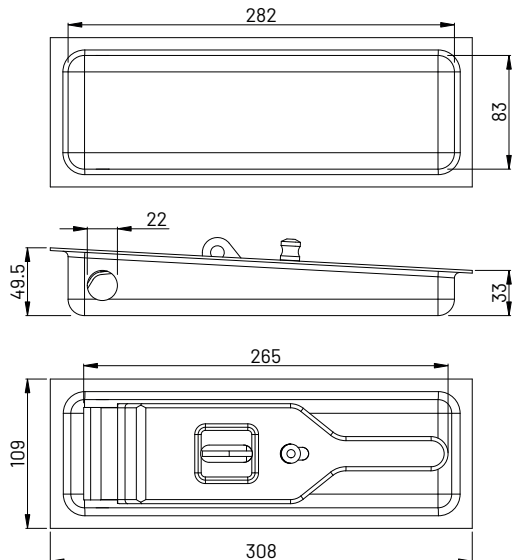
| Model | Ağırlık (kg) | Paket Sayısı |
|-------------|--------------|--------------|
| 450-K10-003 | 1,520 | 10 |
| 450-K10-004 | | |



Gömme Kilit Büyük Anahtarlı & Asma Kilitli
Recessed Door Lock, Key & Padlock Operated Large

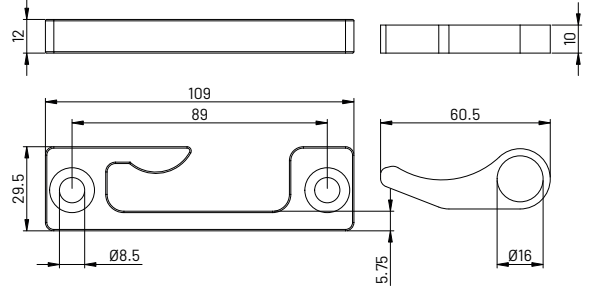
Galvanizli (ZP)
Krom (SS)

| Model | Ağırlık (kg) | Paket Sayısı |
|-------------|--------------|--------------|
| 450-K10-015 | 1,750 | 10 |
| 450-K10-016 | | |



Gömme Kilit Eski Model
Recessed Door Lock

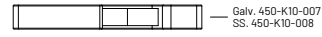
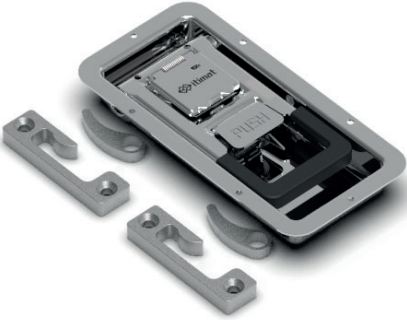
| Model | Ağırlık (kg) | Paket Sayısı |
|-------------|--------------|--------------|
| 450-K10-024 | 1,200 | 15 |



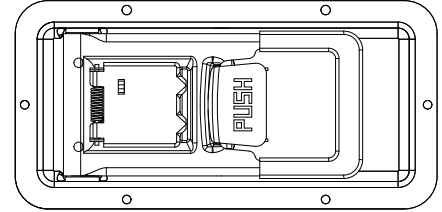
Gömme Kilit Karşılığı

Cam & Keeper for Recessed Door Lock

| Galvanizli (ZP) | 450-K10-007 | 0,200 | 100 |
|-----------------|-------------|-------|-----|
| Krom (SS) | 450-K10-008 | 0,210 | |



Galv. 450-K10-001
SS. 450-K10-002



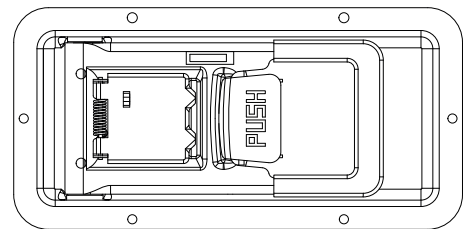
Gömme Set Küçük Anahtarlı

Recessed Door Lock Set, Key Operated Small

| Galvanizli (ZP) | 450-K10-009 | 1,410 | 10 |
|-----------------|-------------|-------|----|
| Krom (SS) | 450-K10-010 | 1,490 | |



Galv. 450-K10-017
SS. 450-K10-018

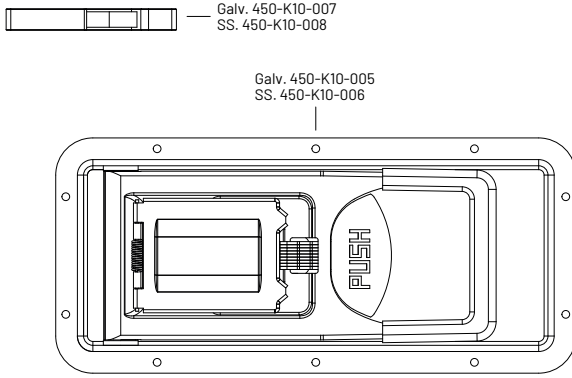


Gömme Set Küçük Anahtarlı & Asma Kilitli

Recessed Door Lock Set, Key & Padlock Operated Small

| Galvanizli (ZP) | 450-K10-020 | 1,430 | 10 |
|-----------------|-------------|-------|----|
| Krom (SS) | 450-K10-021 | 1,510 | |





Gömme Set Büyük Anahtarlı

Recessed Door Lock Set, Key Operated Large



Galvanizli (ZP)



450-K10-013



2,150

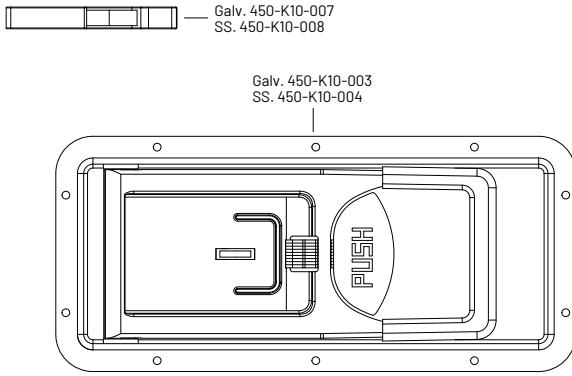


10

Krom (SS)

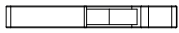
450-K10-014

2,230



Gömme Set Büyük Asma Kilitli

Recessed Door Lock Set, Padlock Operated Large



Galvanizli (ZP)



450-K10-011



1,940

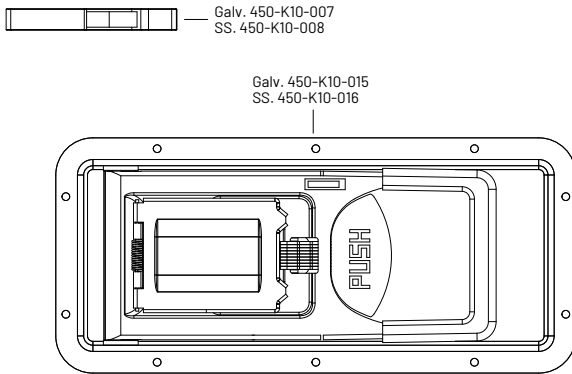


10

Krom (SS)

450-K10-012

2,020



Gömme Set Büyük Anahtarlı & Asma Kilitli

Recessed Door Lock Set, Key & Padlock Operated Large



Galvanizli (ZP)



450-K10-022



2,170



10

Krom (SS)

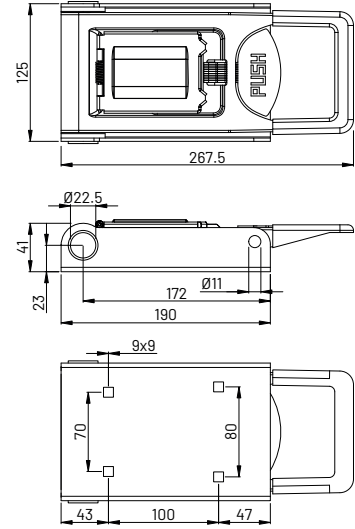
450-K10-023

2,250


Dıştan Kilit Anahtarlı Ø22

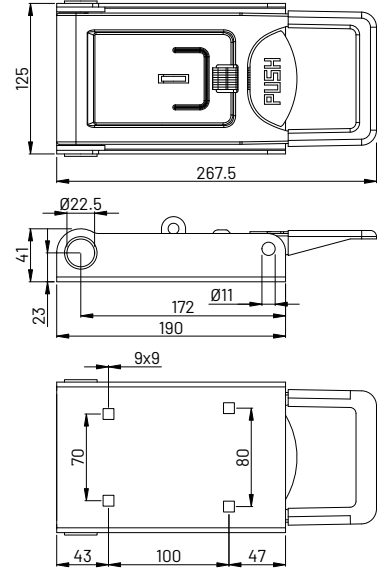
External Door Lock, Key Operated Ø22

| Galvanizli (ZP) | 450-K11-003 | 1,810 | 10 |
|-----------------|-------------|-------|----|
| Krom (SS) | 450-K11-004 | | |


Dıştan Kilit Asma Kilitli Ø22

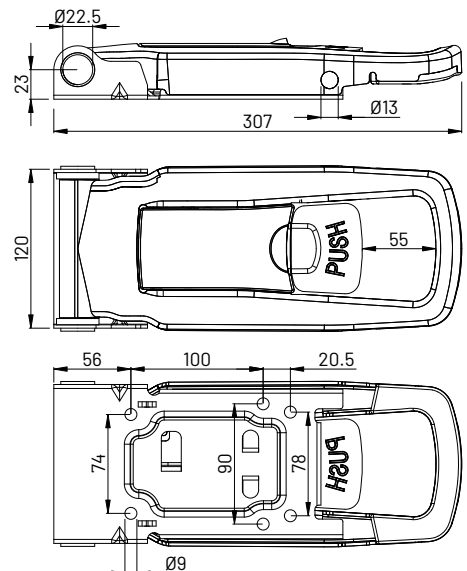
External Door Lock, Padlock Operated Ø22

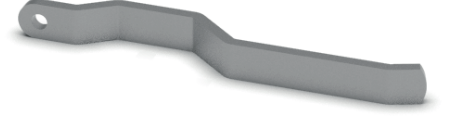
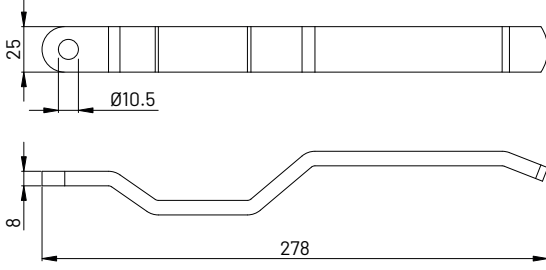
| Galvanizli (ZP) | 450-K11-001 | 1,700 | 10 |
|-----------------|-------------|-------|----|
| Krom (SS) | 450-K11-002 | | |


Solid Kilit Ø22

Solid Series External Door Lock Ø22

| Galvanizli (ZP) | 450-K11-007 | 1,950 | 10 |
|-----------------|-------------|-------|----|
| Krom (SS) | 450-K11-008 | | |



**Düz Lama Kol Ø22**

Lever Ø22

Galvanizli (ZP)



450-K13-011



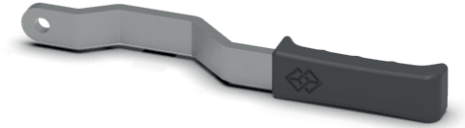
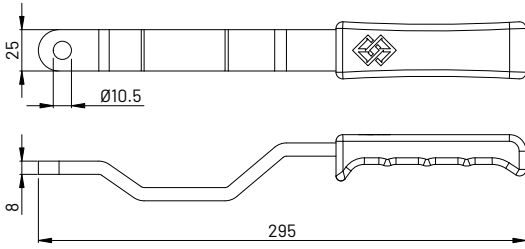
0,450



30

Krom (SS)

450-K13-012

**Düz Lama Kol Plastikli Ø22**

Lever Ø22

Galvanizli (ZP)



450-K13-013



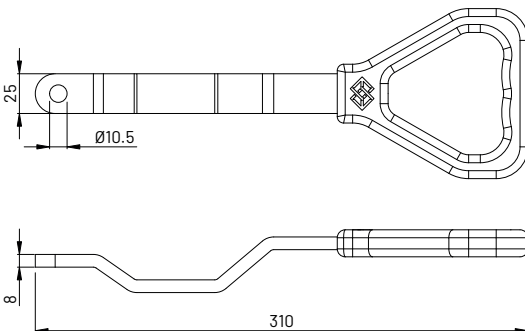
0,500



30

Krom (SS)

450-K13-014

**Lama Kol Ø22**

Lever Ø22

Galvanizli (ZP)



450-K13-001



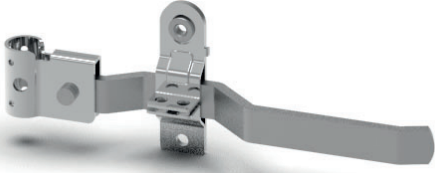
0,450



30

Krom (SS)

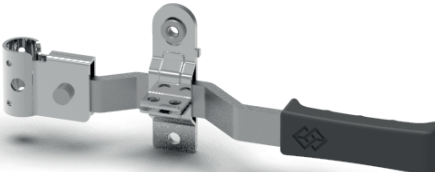
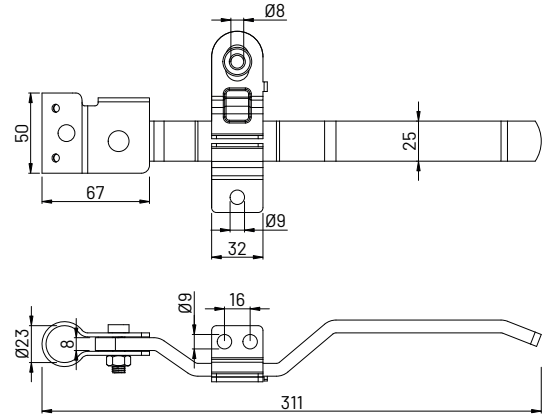
450-K13-002



Düz Lama Kol Takım Ø22

Lever with Hub and Retainer Ø22

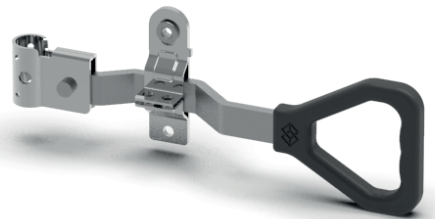
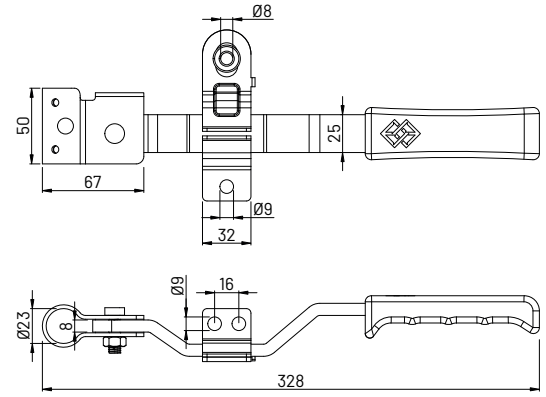
| Galvanizli (ZP) | 450-K13-015 | 0,750 | 20 |
|-----------------|-------------|-------|----|
| Krom (SS) | 450-K13-016 | | |



Düz Lama Kol Takım Plastikli Ø22

Lever with Hub and Retainer Ø22

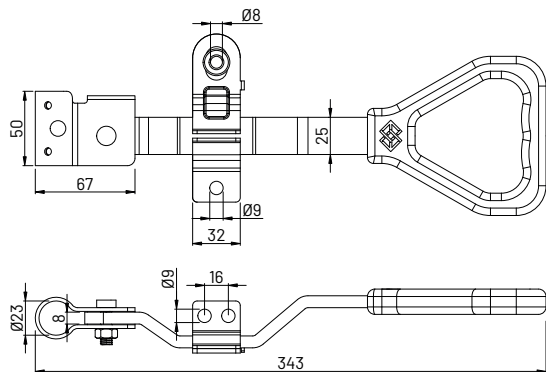
| Galvanizli (ZP) | 450-K13-017 | 0,800 | 20 |
|-----------------|-------------|-------|----|
| Krom (SS) | 450-K13-018 | | |

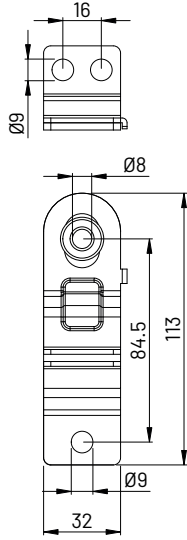


Lama Kol Takım Ø22

Lever with Hub and Retainer Ø22

| Galvanizli (ZP) | 450-K13-003 | 0,750 | 20 |
|-----------------|-------------|-------|----|
| Krom (SS) | 450-K13-004 | | |

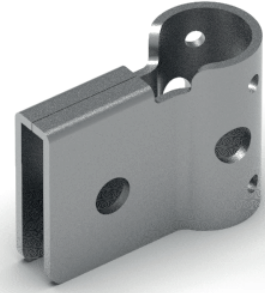
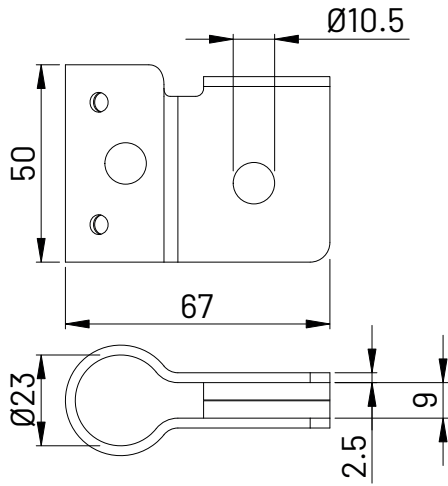




Lama Kol Kilit Yeri Ø22
Lever Retainer Ø22

Galvanizli (ZP)
Krom (SS)

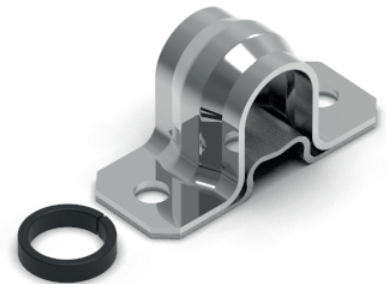
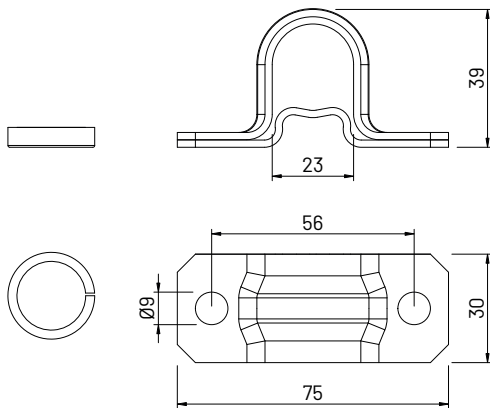
| | 450-K13-005 | 0,150 | 50 |
|--|-------------|-------|----|
| | | | |



Lama Kol Topuzu Ø22
Lever Hub Ø22

Galvanizli (ZP)
Krom (SS)

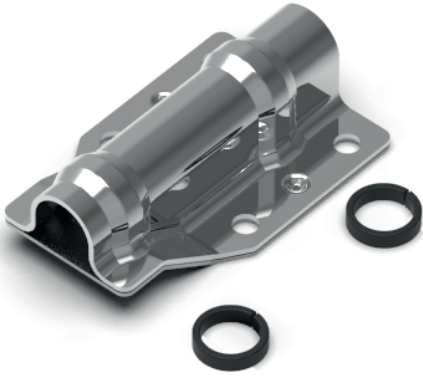
| | 450-K13-007 | 0,130 | 50 |
|--|-------------|-------|----|
| | | | |



Mil Yuvası Küçük Ø22
Bearing Bracket Small Ø22

Galvanizli (ZP)
Krom (SS)

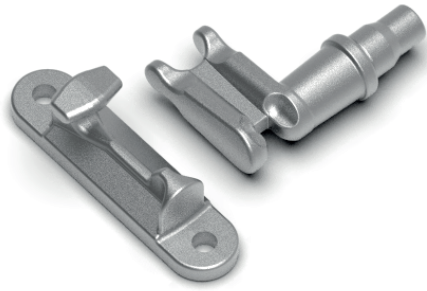
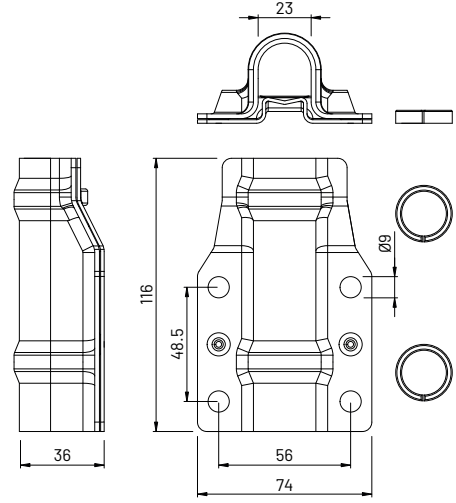
| | 450-K11-009 | 0,100 | 50 |
|--|-------------|-------|----|
| | | | |



Mil Yuvası Büyük Ø22

Bearing Bracket Large Ø22

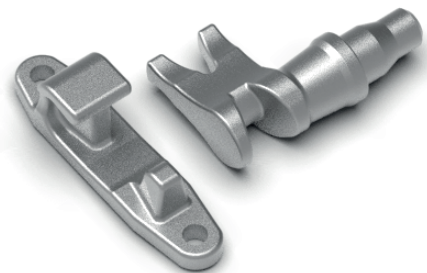
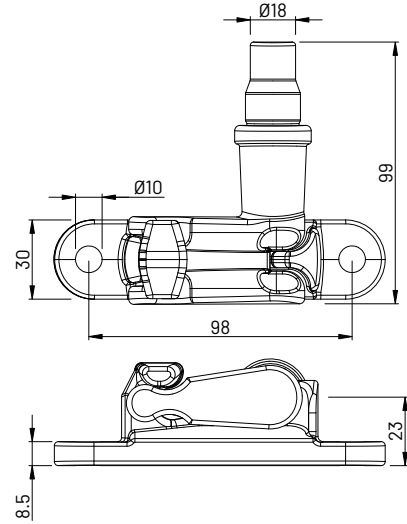
| Galvanizli (ZP) | 450-K11-011 | 0,350 | 50 |
|-----------------|-------------|-------|----|
| Krom (SS) | 450-K11-012 | | |



Solid Kanca Tek Yön Ø22

Cam & Keeper Ø22

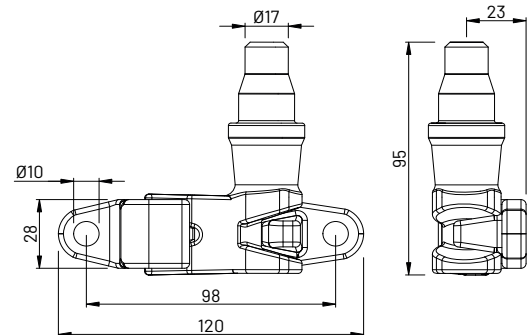
| Galvanizli (ZP) | 450-K11-013 | 0,750 | 40 |
|-----------------|-------------|-------|----|
| Krom (SS) | 450-K11-014 | | |

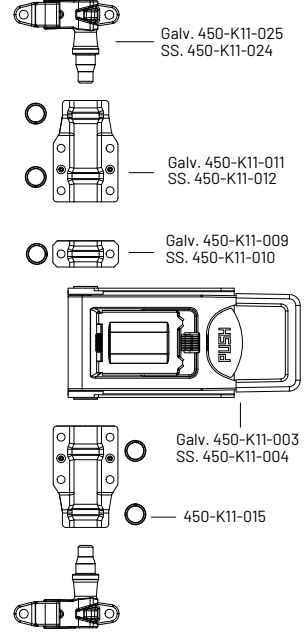


Döküm Kanca Tek Yön Ø22

Cam & Keeper Ø22

| Galvanizli (ZP) | 450-K11-025 | 0,750 | 40 |
|-----------------|-------------|-------|----|
| Krom (SS) | 450-K11-024 | | |

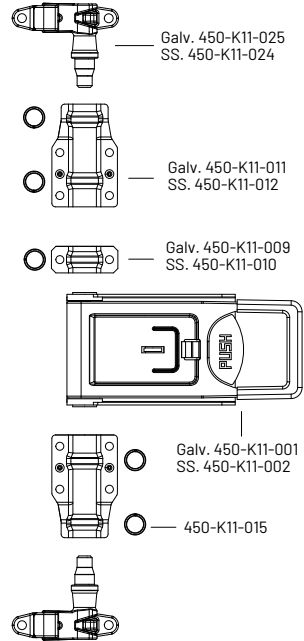




Dıştan Set Anahtarlı Ø22

External Door Lock Set, Key Operated Ø22

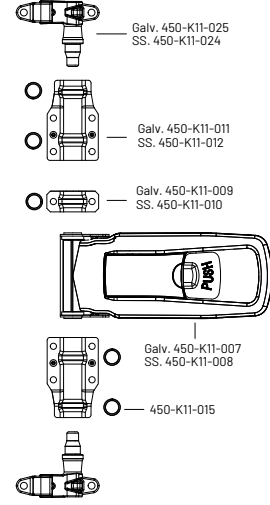
| Galvanizli (ZP) | 450-K11-018 | | 4,000 | 5 |
|-----------------|-------------|-------------|-------|---|
| Krom (SS) | | 450-K11-019 | | |



Dıştan Set Asma Kilitli Ø22

External Door Lock Set, Padlock Operated Ø22

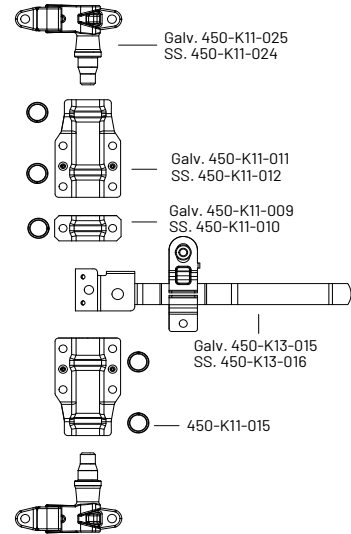
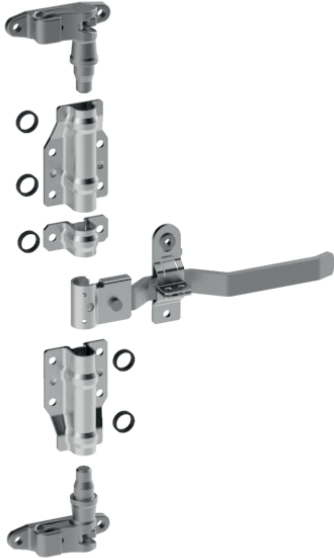
| Galvanizli (ZP) | 450-K11-016 | | 3,890 | 5 |
|-----------------|-------------|-------------|-------|---|
| Krom (SS) | | 450-K11-017 | | |



Solid Set Ø22

Solid Series External Door Lock Set Ø22

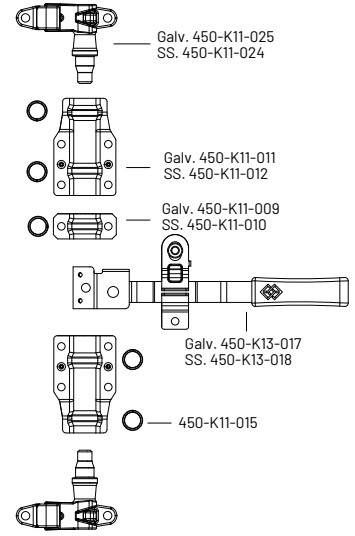
| Galvanizli (ZP) | 450-K11-022 | 4,140 | 5 |
|-----------------|-------------|-------|---|
| Krom (SS) | 450-K11-023 | | |



Düz Lama Kol Set Ø22

Lever Set Ø22

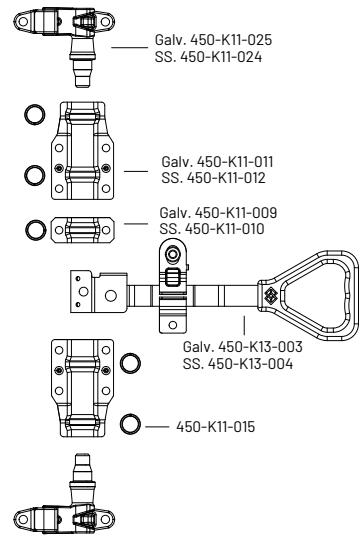
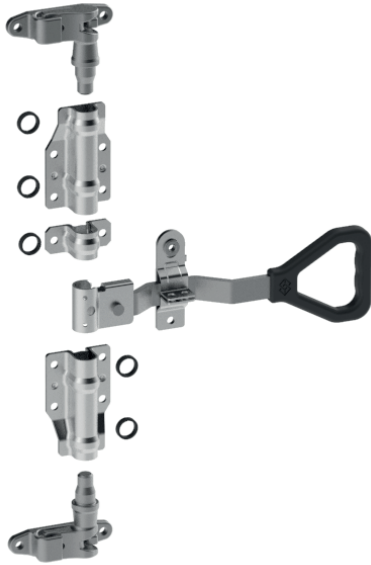
| Galvanizli (ZP) | 450-K13-019 | 2,940 | 5 |
|-----------------|-------------|-------|---|
| Krom (SS) | 450-K13-020 | | |



Düz Lama Kol Set Plastikli Ø22

Lever Set Ø22

| Galvanizli (ZP) | 450-K13-021 | 2,990 | 5 |
|-----------------|-------------|-------|---|
| Krom (SS) | 450-K13-022 | | |



Lama Kol Set Ø22

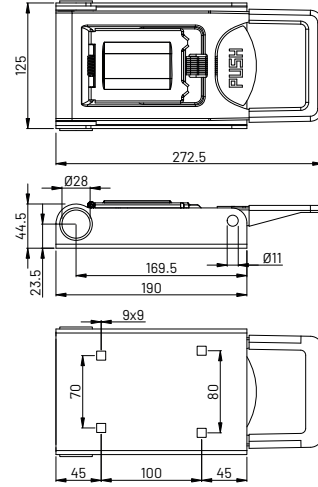
Lever Set Ø22

| Galvanizli (ZP) | 450-K13-009 | 2,940 | 5 |
|-----------------|-------------|-------|---|
| Krom (SS) | 450-K13-010 | | |


Dıştan Kilit Anahtarlı Ø27

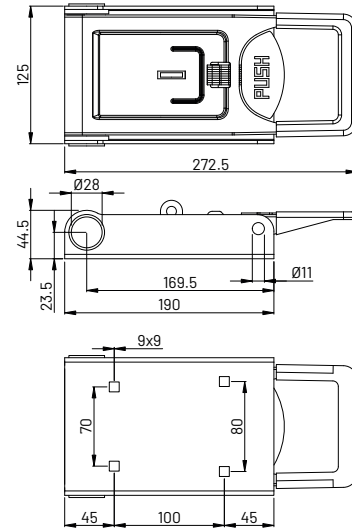
External Door Lock, Key Operated Ø27

| Galvanizli (ZP) | 450-K12-005 | 1,830 | 10 |
|-----------------|-------------|-------|----|
| Krom (SS) | 450-K12-006 | | |


Dıştan Kilit Asma Kilitli Ø27

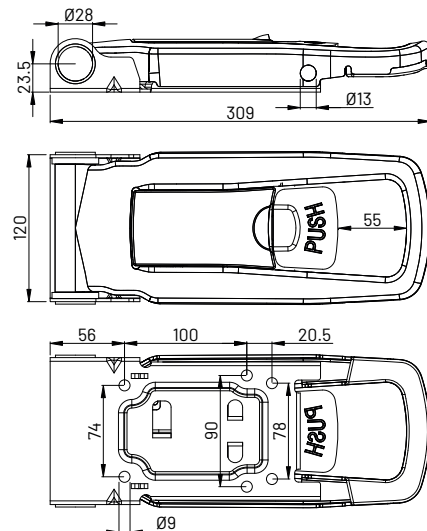
External Door Lock, Padlock Operated Ø27

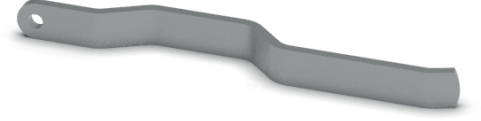
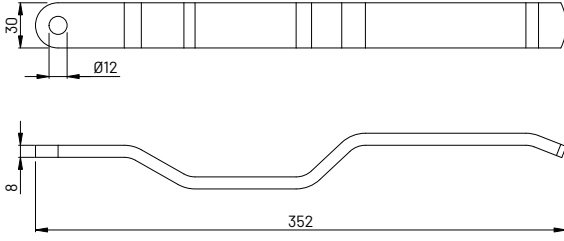
| Galvanizli (ZP) | 450-K12-001 | 1,720 | 10 |
|-----------------|-------------|-------|----|
| Krom (SS) | 450-K12-002 | | |


Solid Kilit Ø27

Solid Series External Door Lock Ø27

| Galvanizli (ZP) | 450-K12-009 | 2,000 | 10 |
|-----------------|-------------|-------|----|
| Krom (SS) | 450-K12-010 | | |

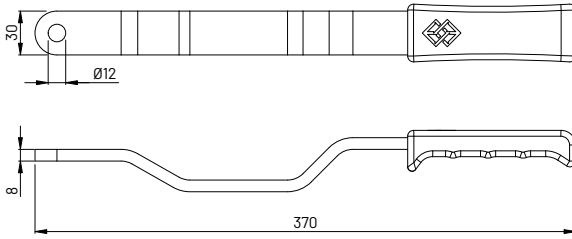


**Düz Lama Kol Ø27**

Lever Ø27

Galvanizli (ZP)
Krom (SS)

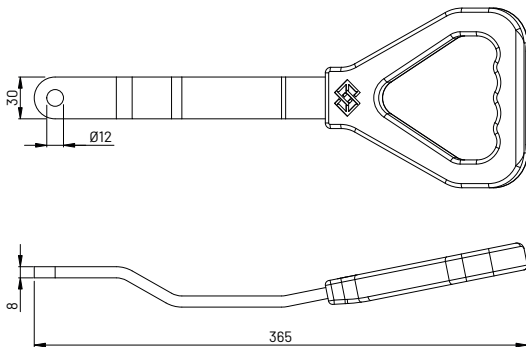
| | 450-K14-011 | 0,650 | 30 |
|--|-------------|-------|----|
| | | | |

**Düz Lama Kol Plastikli Ø27**

Lever Ø27

Galvanizli (ZP)
Krom (SS)

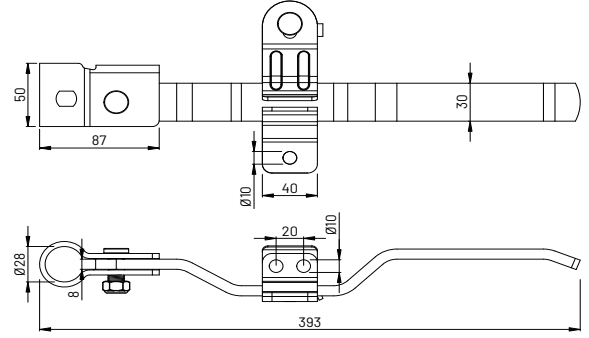
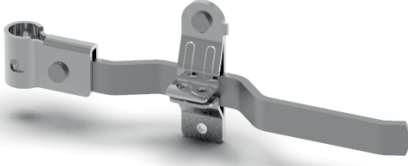
| | 450-K14-013 | 0,750 | 30 |
|--|-------------|-------|----|
| | | | |

**Lama Kol Ø27**

Lever Ø27

Galvanizli (ZP)
Krom (SS)

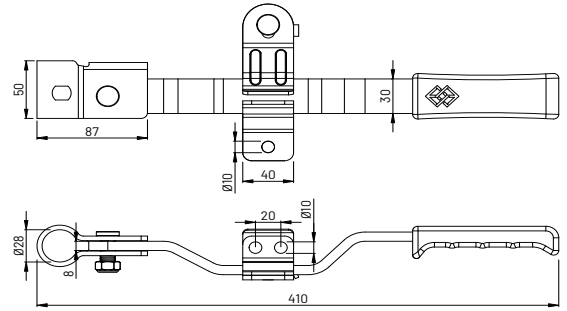
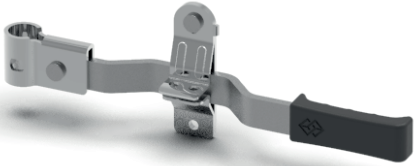
| | 450-K14-001 | 0,600 | 30 |
|--|-------------|-------|----|
| | | | |



Düz Lama Kol Takım Ø27

Lever with Hub and Retainer Ø27

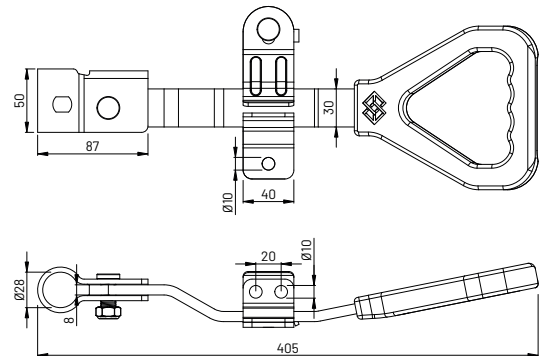
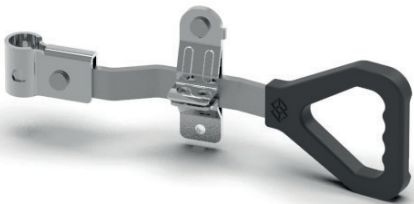
| Galvanizli (ZP) | 450-K14-015 | 1,200 | 20 |
|-----------------|-------------|-------|----|
| Krom (SS) | 450-K14-016 | | |



Düz Lama Kol Takım Plastikli Ø27

Lever with Hub and Retainer Ø27

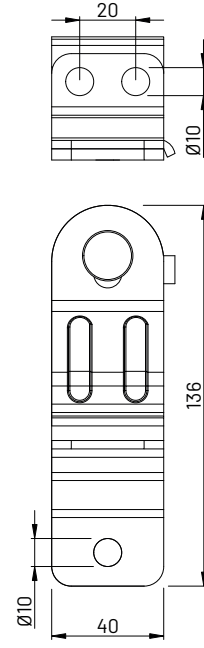
| Galvanizli (ZP) | 450-K14-017 | 1,300 | 20 |
|-----------------|-------------|-------|----|
| Krom (SS) | 450-K14-018 | | |



Lama Kol Takım Ø27

Lever with Hub and Retainer Ø27

| Galvanizli (ZP) | 450-K14-003 | 1,150 | 20 |
|-----------------|-------------|-------|----|
| Krom (SS) | 450-K14-004 | | |

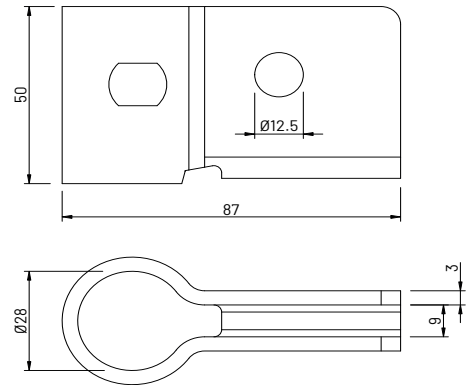
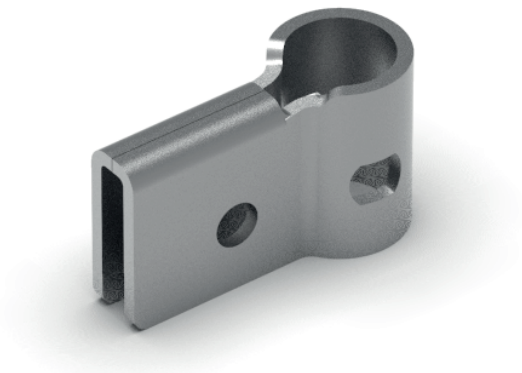


Lama Kol Kilit Yeri Ø27

Lever Retainer Ø27

Galvanizli (ZP)
Krom (SS)

| | 450-K14-005 | 0,300 | 50 |
|--|-------------|-------|----|
| | 450-K14-006 | | |

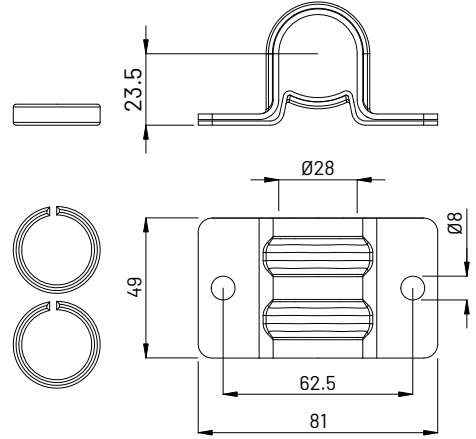
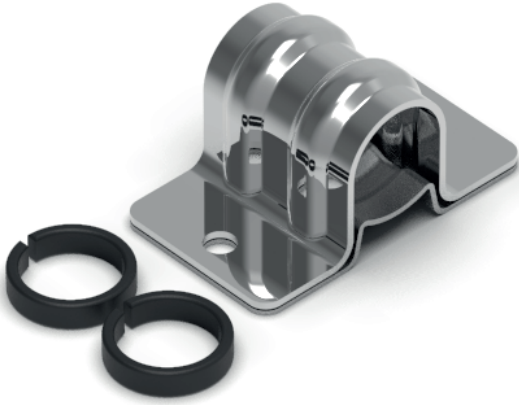


Lama Kol Topuzu Ø27

Lever Hub Ø27

Galvanizli (ZP)
Krom (SS)

| | 450-K14-007 | 0,200 | 50 |
|--|-------------|-------|----|
| | 450-K14-008 | | |


Mil Yuvası Küçük Ø27

Bearing Bracket Small Ø27

Galvanizli (ZP)

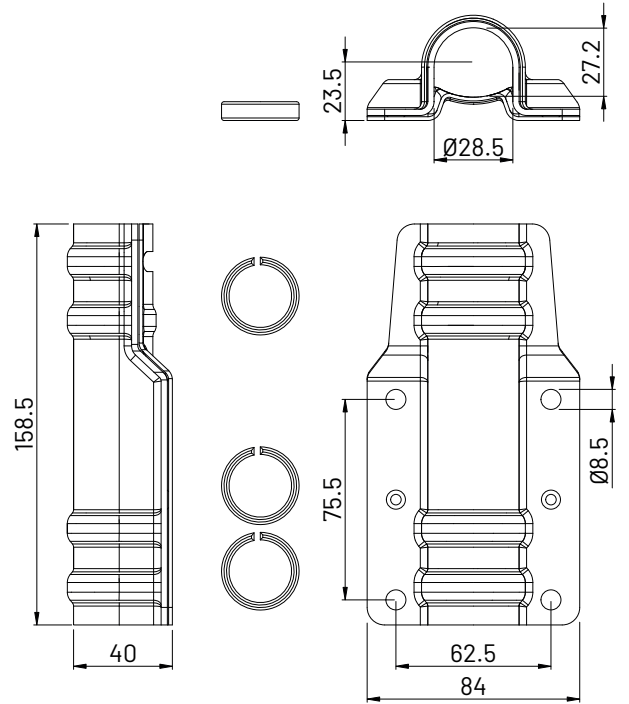
450-K12-011

0,150

50

Krom (SS)

450-K12-012


Mil Yuvası Büyük Ø27

Bearing Bracket Large Ø27

Galvanizli (ZP)

450-K12-013

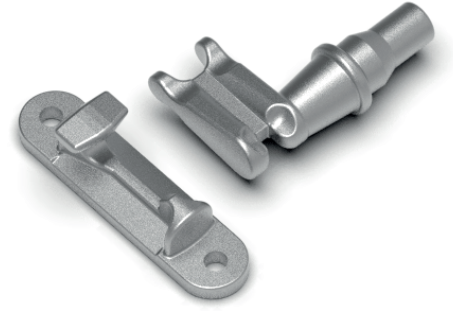
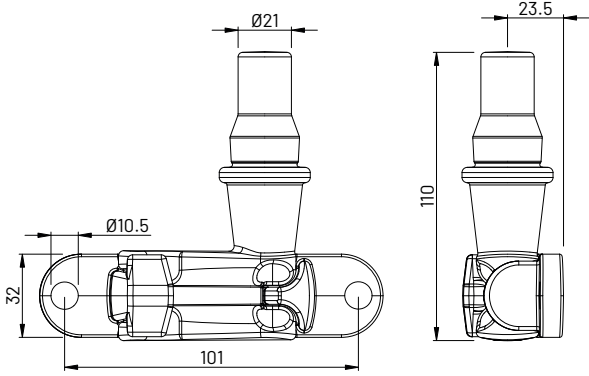
0,450

50

Krom (SS)

450-K12-014

0,500

**Solid Kanca Tek Yön Ø27**

Cam & Keeper Ø27

Galvanizli (ZP)

450-K12-017

0,850

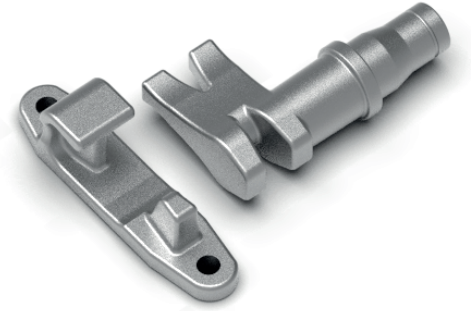
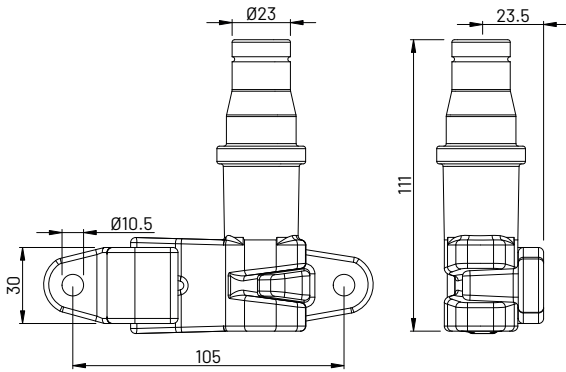
40

Krom (SS)

450-K12-018

0,900

40

**Döküm Kanca Tek Yön Ø27**

Cam & Keeper Ø27

Galvanizli (ZP)

450-K12-031

0,900

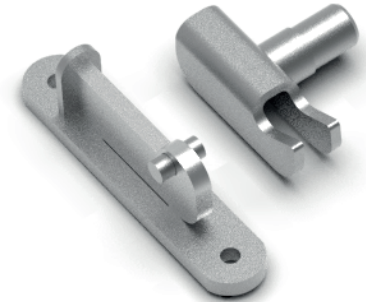
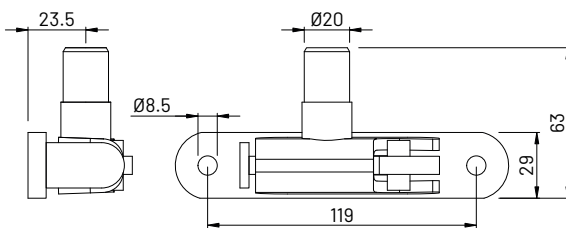
40

Krom (SS)

450-K12-032

0,900

40

**Demir Kanca Ø27**

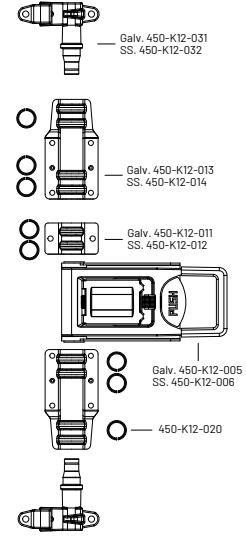
Cam & Keeper Ø27

Galvanizli (ZP)

450-K12-019

0,650

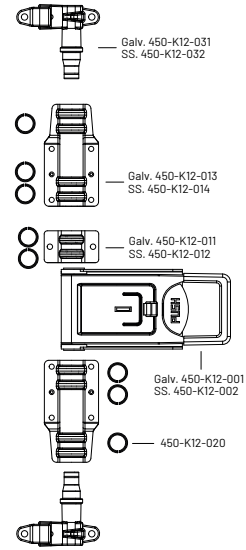
40



Dıştan Set Anahtarlı Ø27

External Door Lock Set, Key Operated Ø27

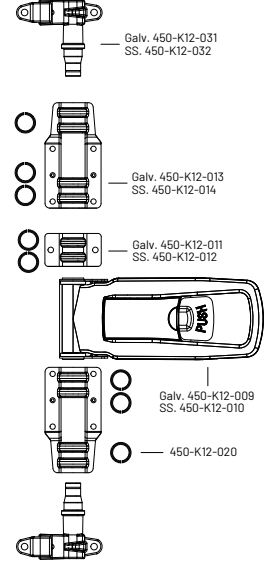
| Galvanizli (ZP) | 450-K12-025 | 4,580 | 5 |
|-----------------|-------------|-------|---|
| Krom (SS) | 450-K12-026 | 4,780 | |






Dıştan Set Asma Kilitli Ø27

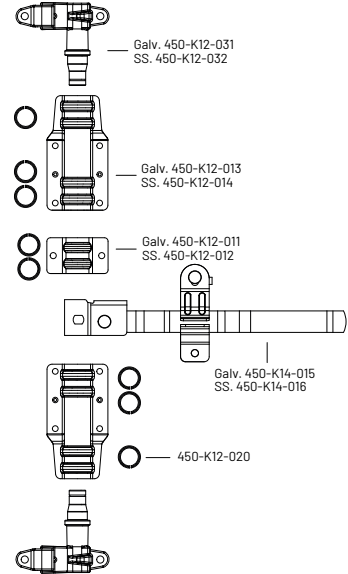
External Door Lock Set, Padlock Operated Ø27

| Galvanizli (ZP) | 450-K12-021 | 4,470 | 5 |
|-----------------|-------------|-------|---|
| Krom (SS) | 450-K12-022 | 4,670 | |




**Solid Set 027**

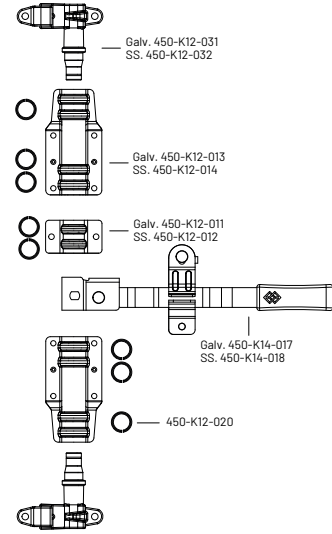
Solid Series External Door Lock Set 027

| |  |  |  |
|-----------------|---|---|---|
| Galvanizli (ZP) | 450-K12-029 | 4,750 | 5 |
| Krom (SS) | 450-K12-030 | 4,950 | |

**Düz Lama Kol Set 027**



Lever Set 027

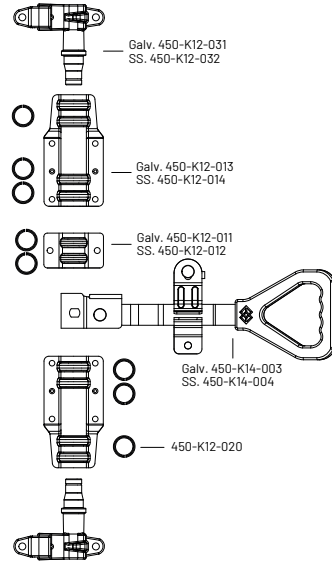
| |  |  |  |
|-----------------|---|---|---|
| Galvanizli (ZP) | 450-K14-019 | 3,950 | 5 |
| Krom (SS) | 450-K14-020 | 4,150 | |



Düz Lama Kol Set Plastikli Ø27




Lever Set Ø27

| |  |  |  |
|-----------------|---|---|---|
| Galvanizli (ZP) | 450-K14-021 | 4,050 | 5 |
| Krom (SS) | 450-K14-022 | 4,250 | |



Lama Kol Set Ø27

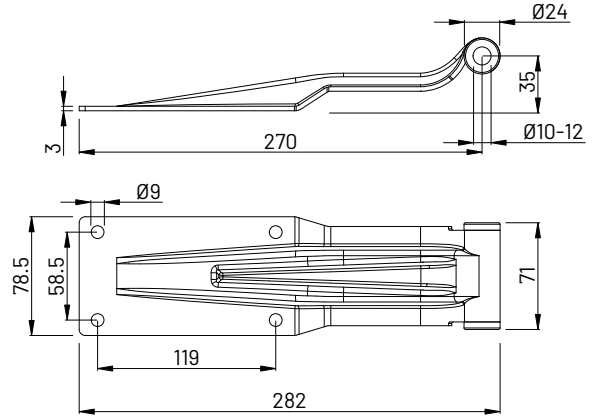
Lever Set Ø27

| |  |  |  |
|-----------------|---|---|---|
| Galvanizli (ZP) | 450-K14-009 | 3,900 | 5 |
| Krom (SS) | 450-K14-010 | 4,100 | |



Kapalı Kasa Mentешeleri

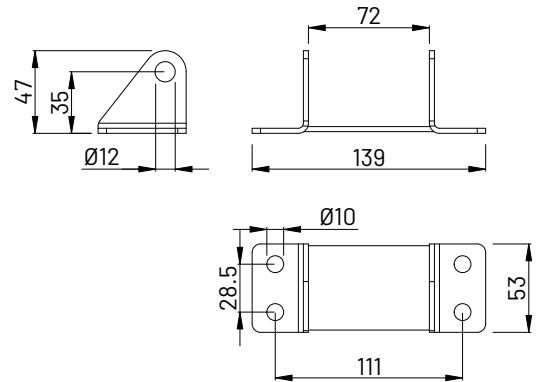
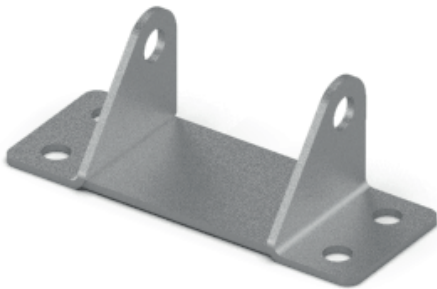
Closed Box Hinges



Arka Kapı Menteşesi Küçük

Rear Door Hinge Small

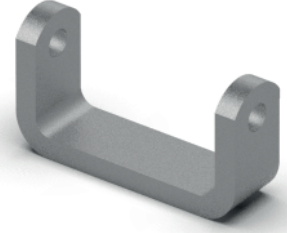
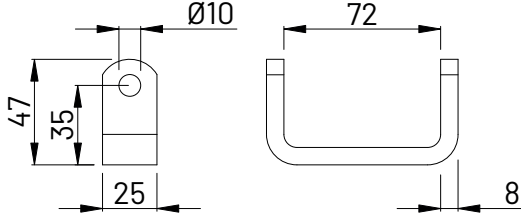
| Ayaksız Krom (Without Bracket SS) | 450-M10-031 | 0,550 | 25 |
|-----------------------------------|-------------|-------|----|






Sac Ayak

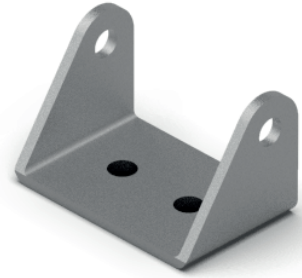
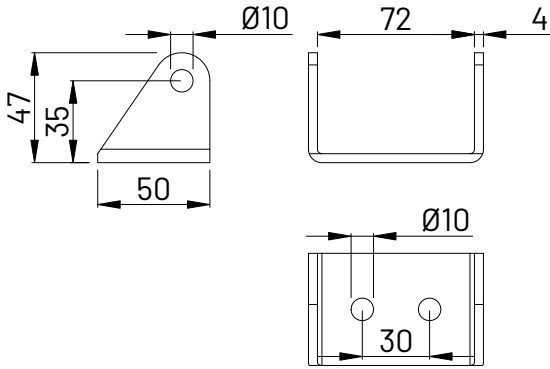
Bracket

| Mat (Self Colour) | 450-M10-001 | | |
|-------------------|-------------|-------|----|
| Galvanizli (ZP) | 450-M10-002 | 0,880 | 20 |
| Krom (SS) | 450-M10-003 | | |




**Lama Ayak**

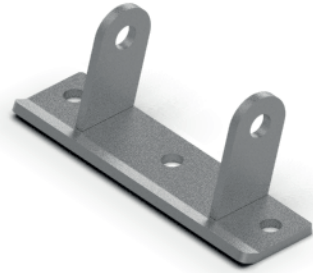
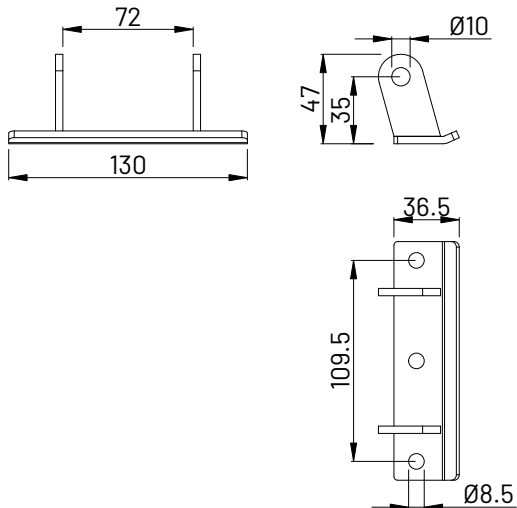
Bracket

| |  |  |  |
|-------------------|---|---|---|
| Mat (Self Colour) | 450-M10-016 | | |
| Galvanizli (ZP) | 450-M10-017 | 0,950 | 20 |
| Krom (SS) | 450-M10-018 | | |




**U Ayak**

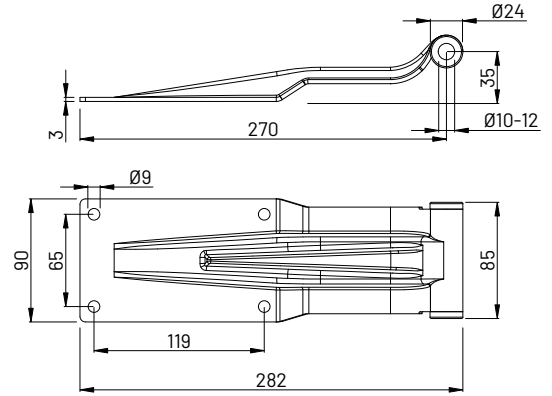
Bracket

| |  |  |  |
|-------------------|---|---|---|
| Mat (Self Colour) | 450-M10-019 | | |
| Galvanizli (ZP) | 450-M10-020 | 0,850 | 20 |
| Krom (SS) | 450-M10-021 | | |

**Sac Ayak 2**

Bracket

| |  |  |  |
|-------------------|---|---|---|
| Mat (Self Colour) | 450-M10-022 | | |
| Galvanizli (ZP) | 450-M10-023 | 0,850 | 20 |
| Krom (SS) | 450-M10-024 | | |


Arka Kapı Menteşesi Büyük

Rear Door Hinge Large



450-M10-032

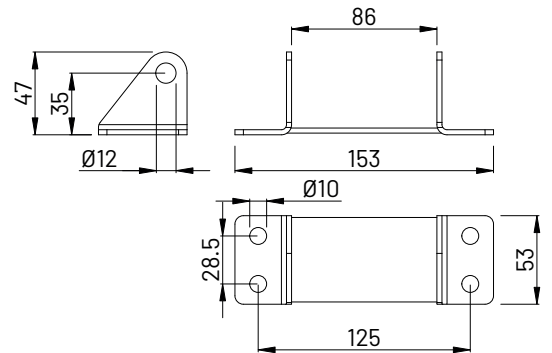
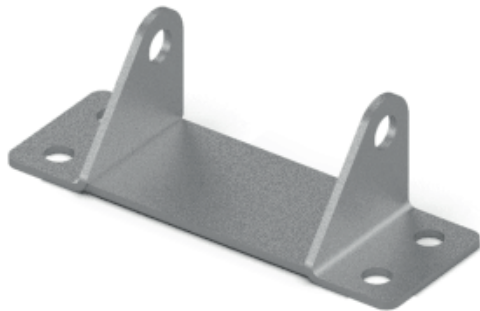


0,650



25

Ayaksız Krom (Without Bracket SS)


Sac Ayak

Bracket



450-M10-004



0,980



20

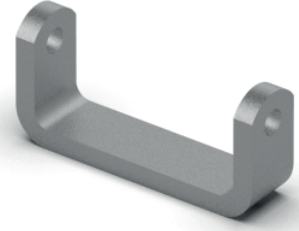
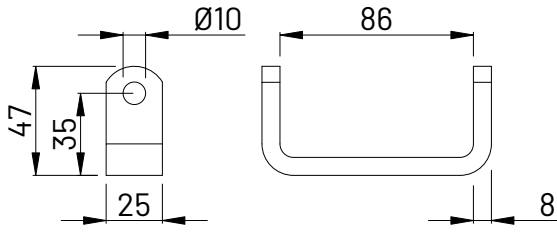
Mat (Self Colour)

Galvanizli (ZP)

Krom (SS)

450-M10-005

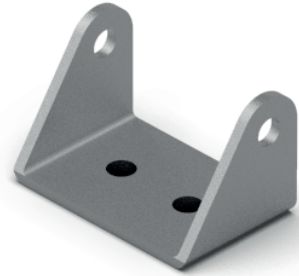
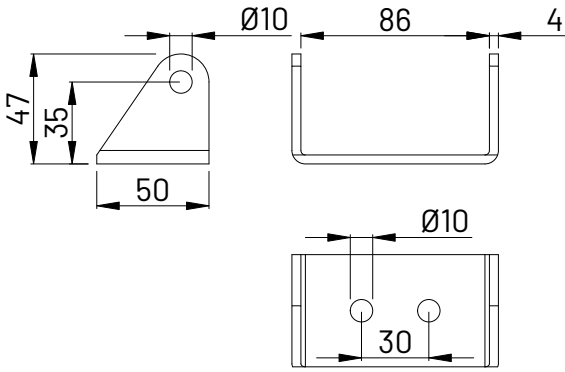
450-M10-006



Lama Ayak

Bracket

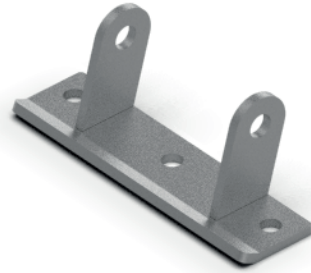
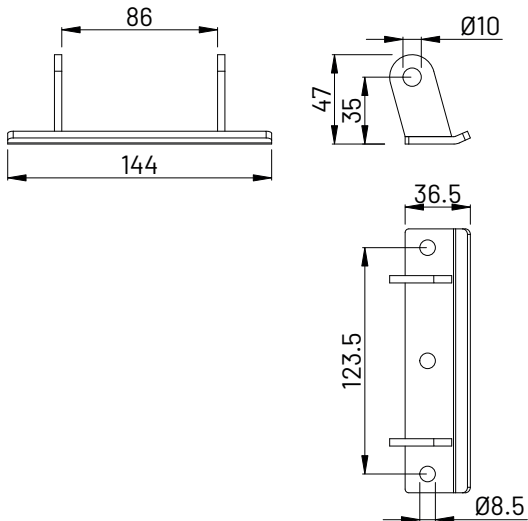
| Mat (Self Colour) | 450-M10-007 | | |
|-------------------|-------------|-------|----|
| Galvanizli (ZP) | 450-M10-008 | 1,050 | 20 |
| Krom (SS) | 450-M10-009 | | |



U Ayak

Bracket

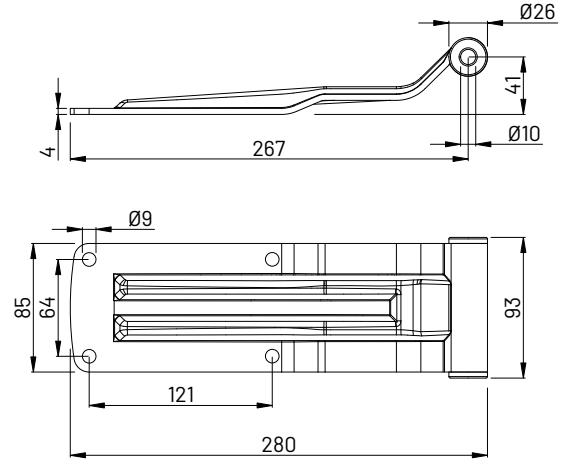
| Mat (Self Colour) | 450-M10-025 | | |
|-------------------|-------------|-------|----|
| Galvanizli (ZP) | 450-M10-026 | 0,950 | 20 |
| Krom (SS) | 450-M10-027 | | |



Sac Ayak 2

Bracket

| Mat (Self Colour) | 450-M10-028 | | |
|-------------------|-------------|-------|----|
| Galvanizli (ZP) | 450-M10-029 | 0,950 | 20 |
| Krom (SS) | 450-M10-030 | | |



Solid Mentese Küçük

Solid Series Rear Door Hinge Small



450-M12-013

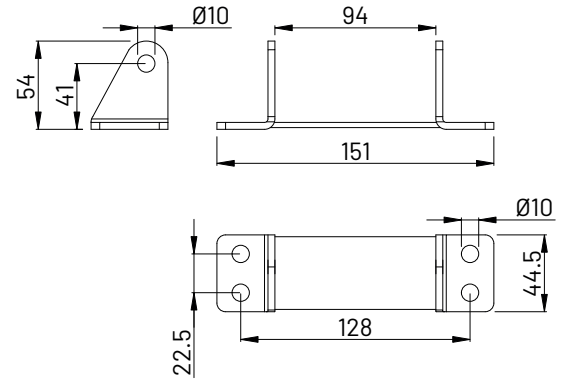
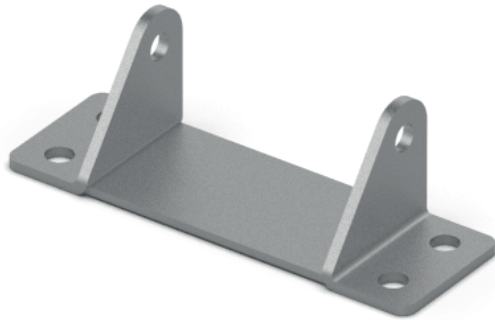


0,920



25

Ayaksız Krom (Without Bracket SS)



Sac Ayak

Bracket



450-M12-001



1,220



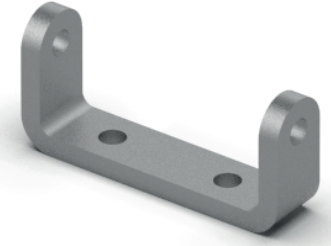
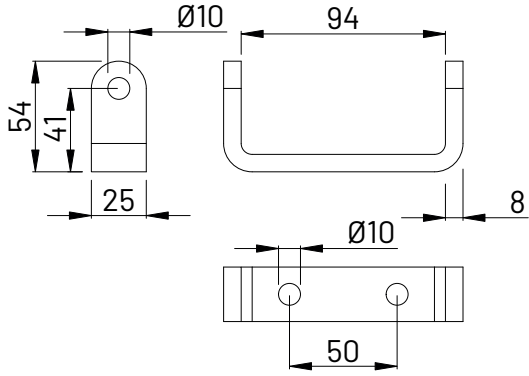
20

Mat (Self Colour)

Galvanizli (ZP)

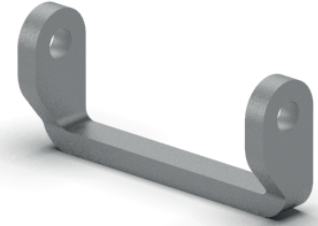
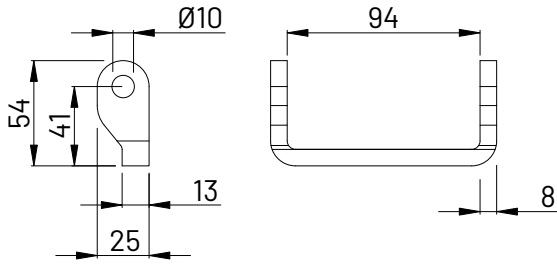
Krom (SS)

450-M12-003



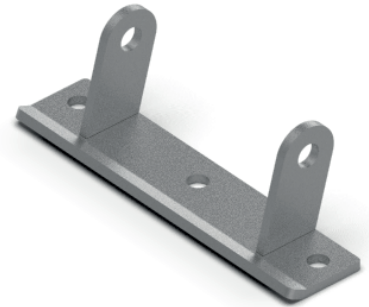
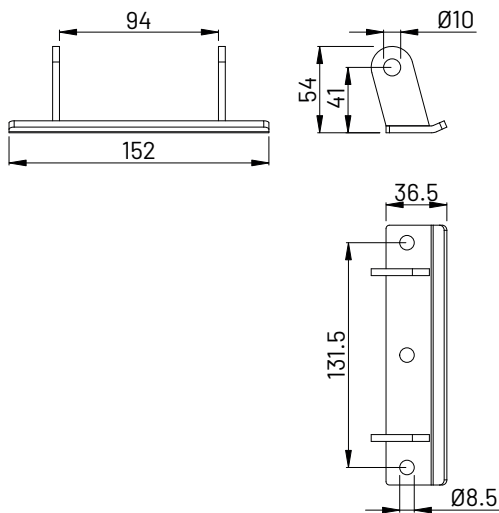
Lama Ayak
Bracket

| Mat (Self Colour) | 450-M12-007 | | |
|-------------------|-------------|-------|----|
| Galvanizli (ZP) | 450-M12-008 | 1,250 | 20 |
| Krom (SS) | 450-M12-009 | | |



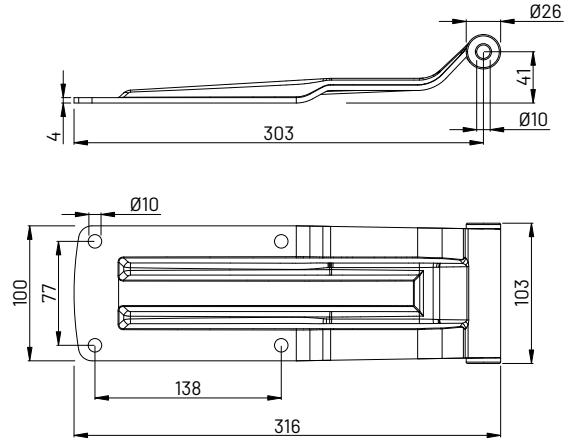
Lama Ayak 2
Bracket

| Mat (Self Colour) | 450-M12-015 | | |
|-------------------|-------------|-------|----|
| Galvanizli (ZP) | 450-M12-016 | 1,170 | 20 |
| Krom (SS) | 450-M12-017 | | |

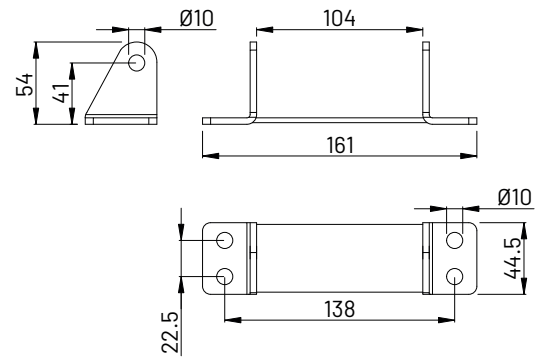
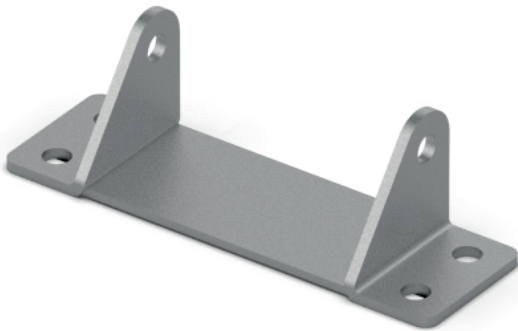


Sac Ayak 2
Bracket

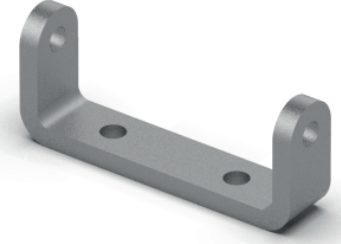
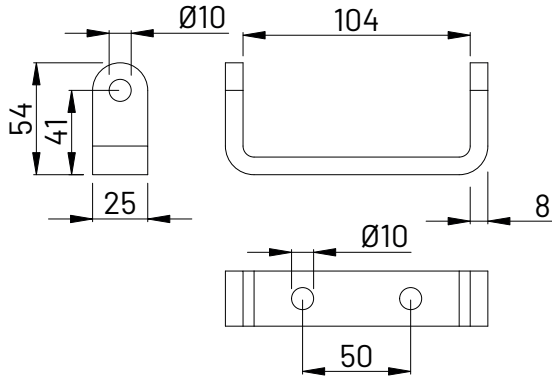
| Mat (Self Colour) | 450-M12-018 | | |
|-------------------|-------------|-------|----|
| Galvanizli (ZP) | 450-M12-019 | 1,210 | 20 |
| Krom (SS) | 450-M12-020 | | |


Solid Mentese Büyük
 Solid Series Rear Door Hinge Large

| | | | |
|-----------------------------------|-------------|-------|----|
| | | | |
| Ayaksız Krom (Without Bracket SS) | 450-M12-014 | 1,160 | 20 |


Sac Ayak
 Bracket

| | | | |
|-------------------|-------------|-------|----|
| | | | |
| Mat (Self Colour) | 450-M12-004 | | |
| Galvanizli (ZP) | 450-M12-005 | 1,510 | 15 |
| Krom (SS) | 450-M12-006 | | |



Lama Ayak
Bracket

Mat (Self Colour)

450-M12-010

Galvanizli (ZP)

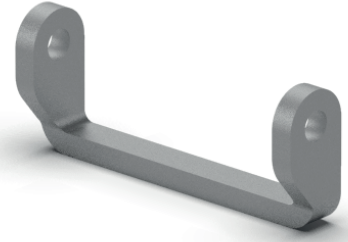
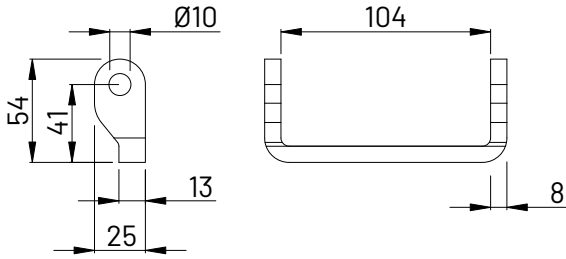
450-M12-011

1,550

15

Krom (SS)

450-M12-012



Lama Ayak 2
Bracket

Mat (Self Colour)

450-M12-021

Galvanizli (ZP)

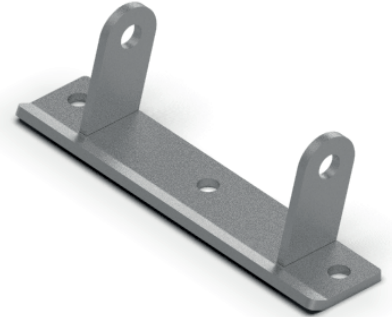
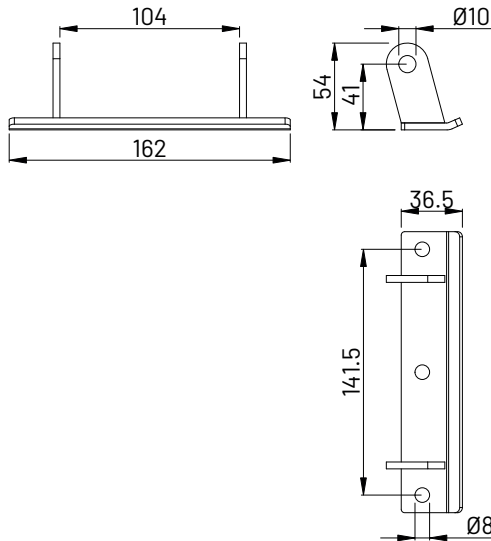
450-M12-022

1,460

15

Krom (SS)

450-M12-023



Sac Ayak 2
Bracket

Mat (Self Colour)

450-M12-024

Galvanizli (ZP)

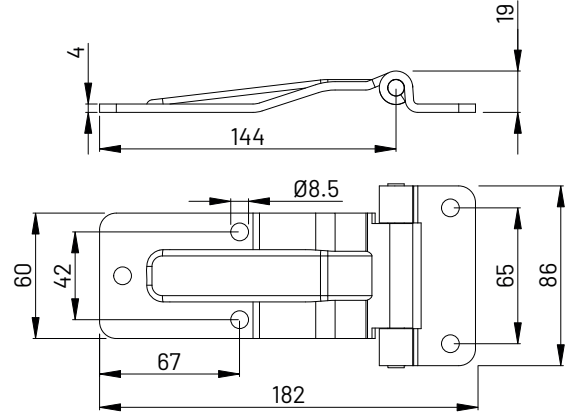
450-M12-025

1,510

15

Krom (SS)

450-M12-026


Yan Kapı Menteşesi Küçük
Side Door Hinge Small

Galvanizli (ZP)

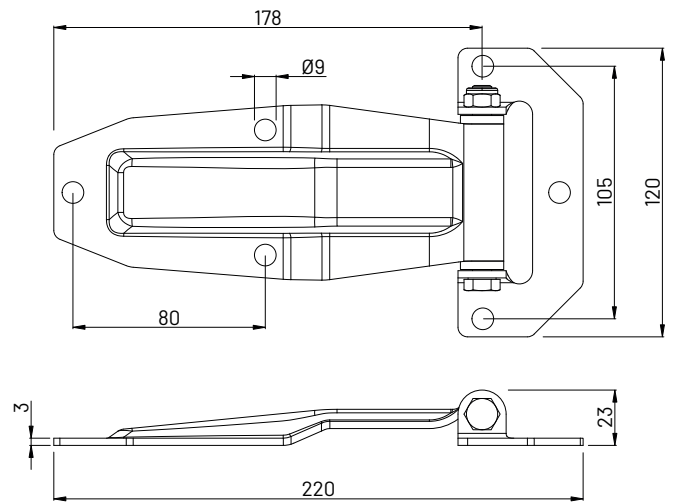
450-M13-001

0,460

50

Krom (SS)

450-M13-002


Yan Kapı Menteşesi Büyük
Side Door Hinge Large

Galvanizli (ZP)

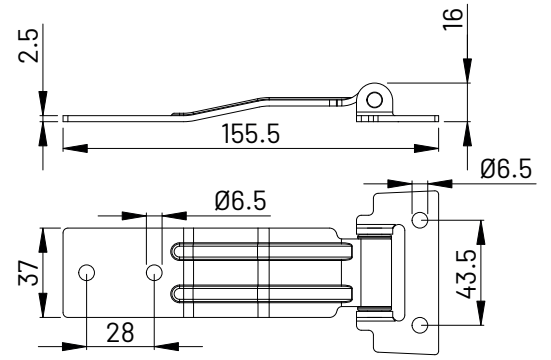
450-M13-003

0,460

50

Krom (SS)

450-M13-004



Havalandırma Menteşesi

Hinge for Ventilator

Krom (SS)



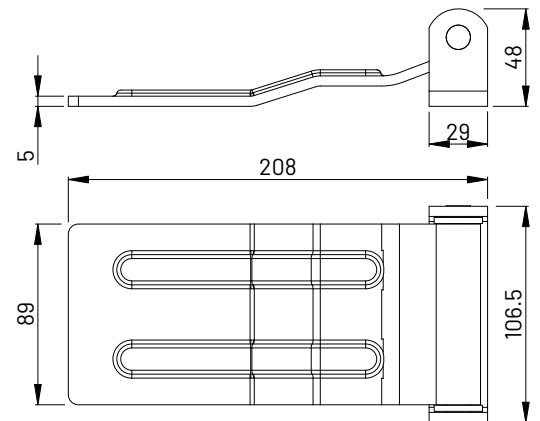
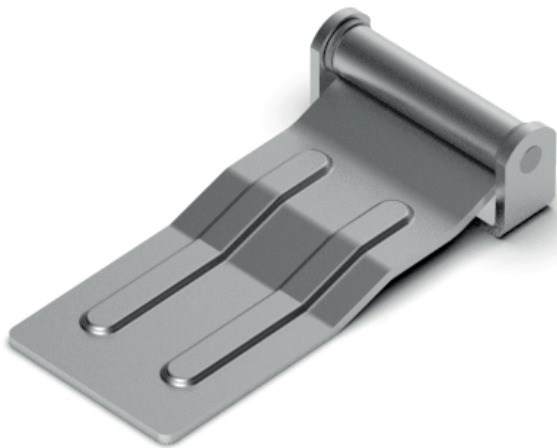
450-H12-002



0,150



100



Kaynaklı Menteşe

Hinge to be welded

Mat (Self Colour)

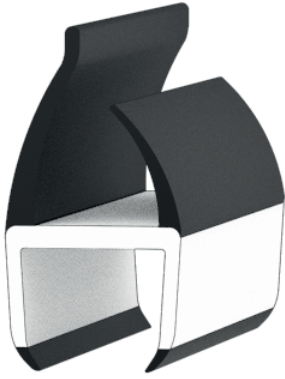
450-M14-001

1,150

20

Galvanizli (ZP)

450-M14-002



PVC Fitol 19 mm
 PVC Seal Strip 19 mm

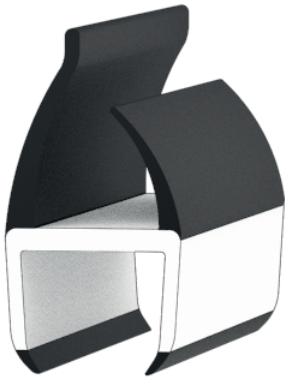
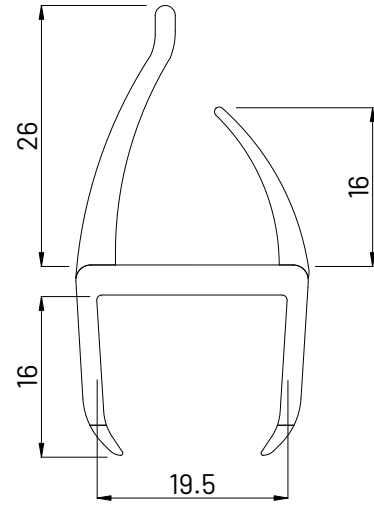
Siyah Beyaz (Black-White)



450-P10-001



3.20 - 5.00



PVC Fitol 21 mm
 PVC Seal Strip 21 mm

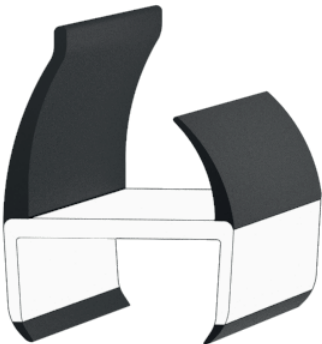
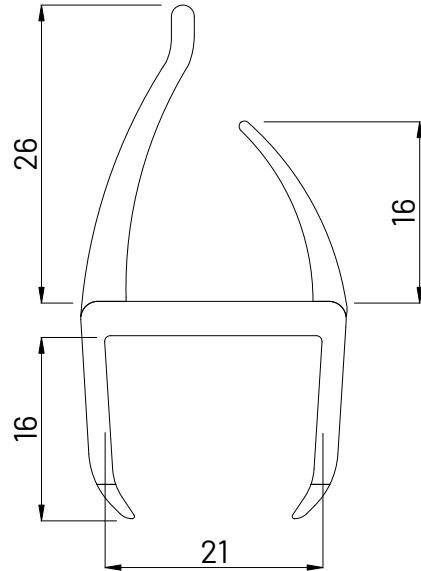
Siyah Beyaz (Black-White)



450-P10-002



3.20 - 5.00



PVC Fitol 32 mm
 PVC Seal Strip 32 mm

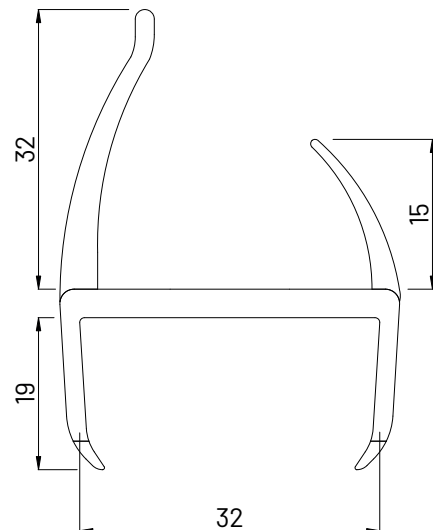
Siyah Beyaz (Black-White)

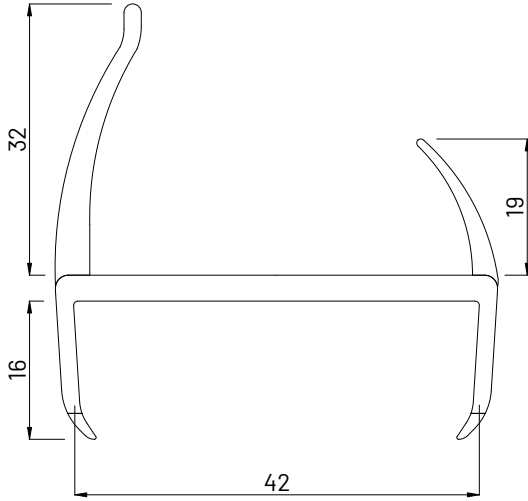


450-P10-004



3.20 - 5.00





PVC Fitol 42 mm
PVC Seal Strip 42 mm

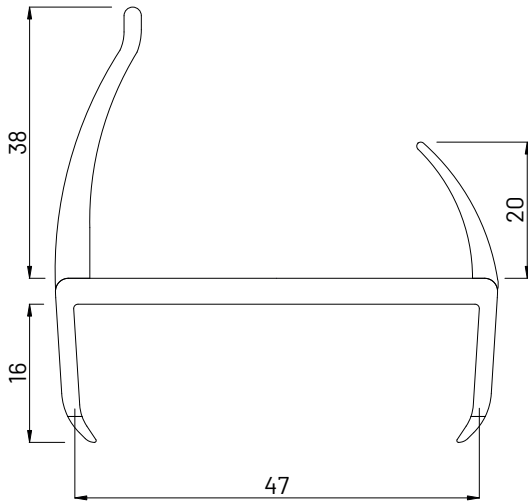
Siyah Beyaz (Black-White)



450-P10-005



3.20 - 5.00



PVC Fitol 47 mm
PVC Seal Strip 47 mm

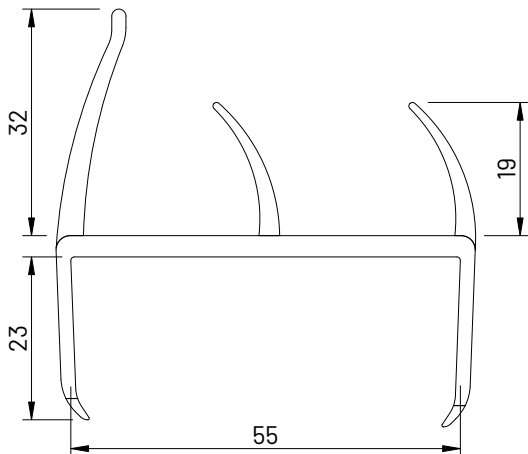
Siyah Beyaz (Black-White)



450-P10-006



3.20 - 5.00



PVC Fitol 55 mm
PVC Seal Strip 55 mm

Siyah Beyaz (Black-White)



450-P10-008



3.20 - 5.00


PVC Fitol 65 mm

PVC Seal Strip 65 mm

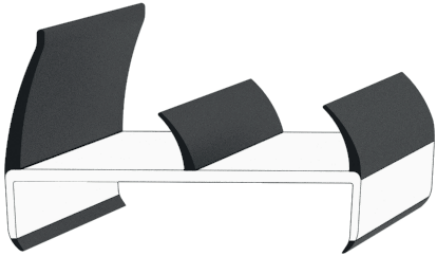
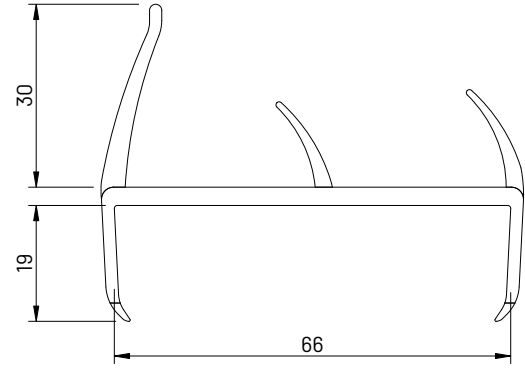


450-P10-009



3.20 - 5.00

Siyah Beyaz (Black-White)


PVC Fitol 85 mm

PVC Seal Strip 85 mm

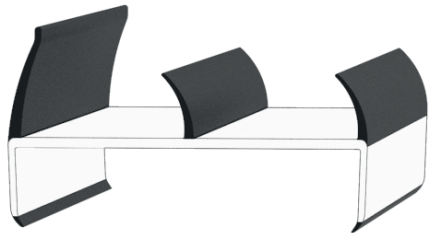
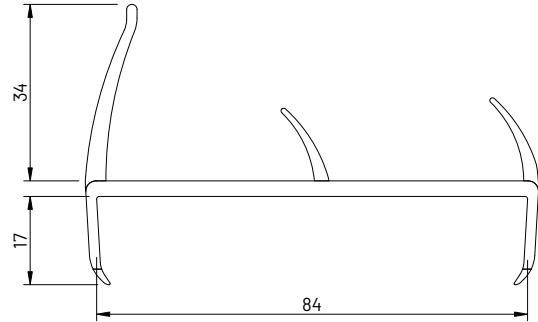


450-P10-013



3.20 - 5.00

Siyah Beyaz (Black-White)


PVC Fitol 100 mm

PVC Seal Strip 100 mm

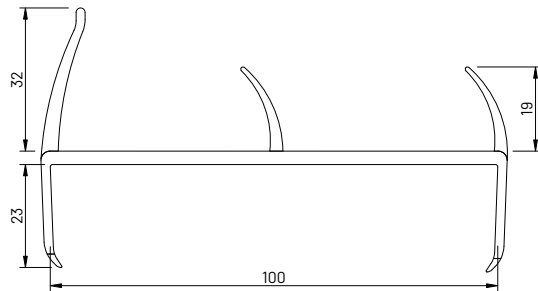


450-P10-017



3.20 - 5.00

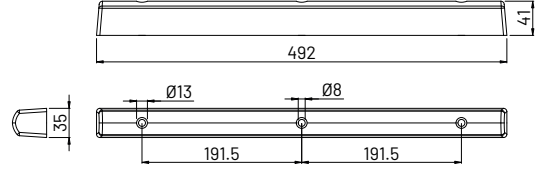
Siyah Beyaz (Black-White)





Takozlar

Rubber Buffers



Yan Bariyer Takozu

Side Buffer



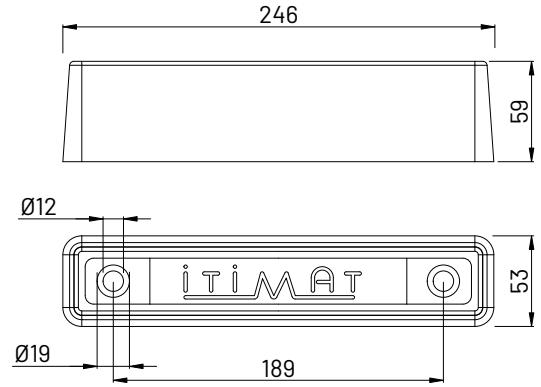
450-T10-001



0,900



30



Arka Bariyer Takozu 25 cm

Rear Buffer 25 cm



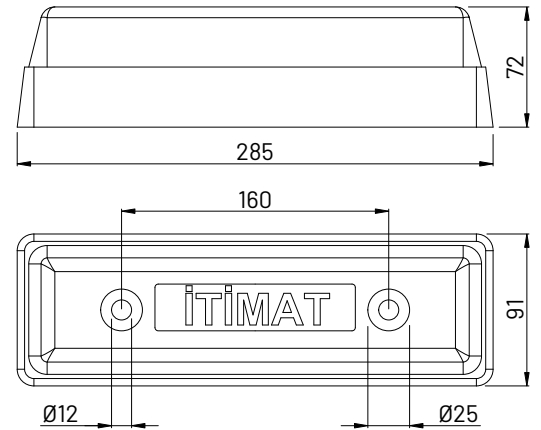
450-T11-001



0,750



25



Arka Bariyer Takozu 29 cm

Rear Buffer 29 cm



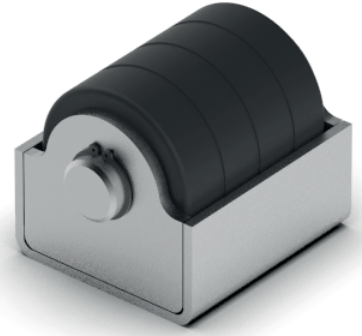
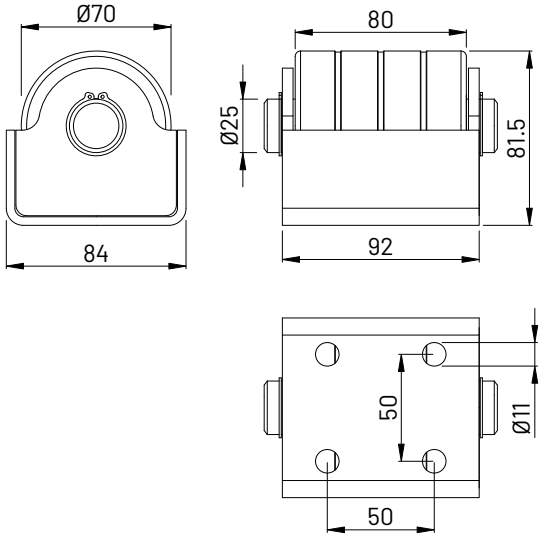
450-T11-002



1,700



15



Döner Takoz Tekli Küçük
 1-roller Buffer Small



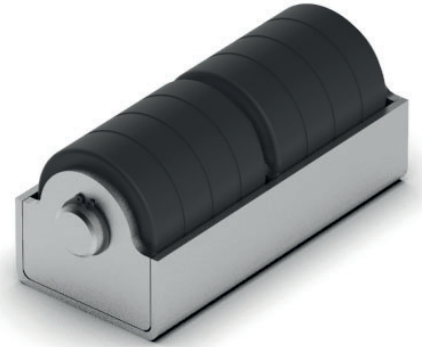
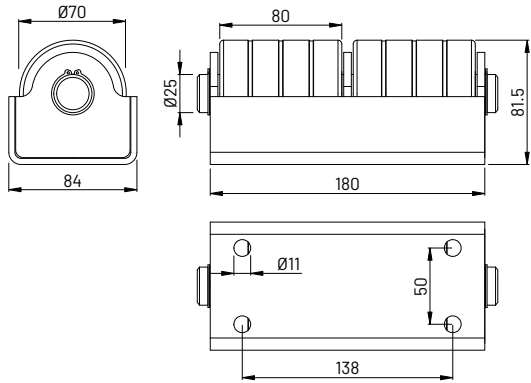
450-T12-001



1,700



10



Döner Takoz İkili Küçük
 2-roller Buffer Small



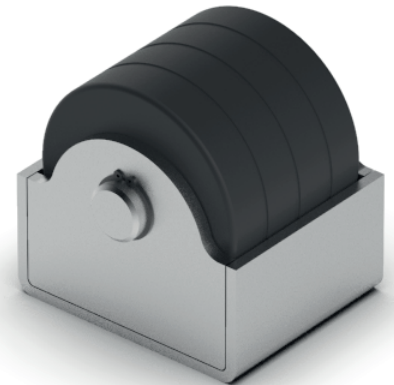
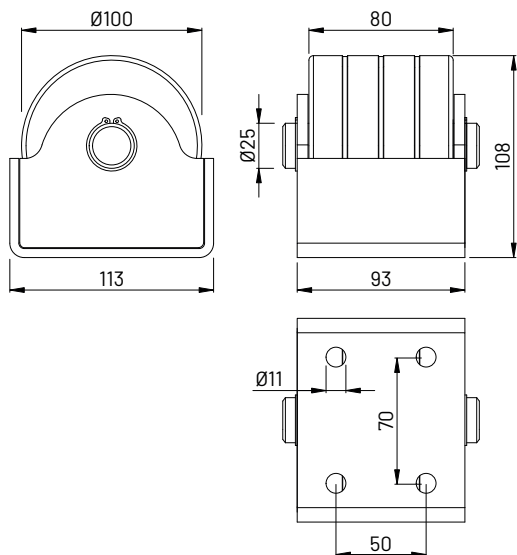
450-T12-002



3,100



8



Döner Takoz Tekli Büyük
 1-roller Buffer Large



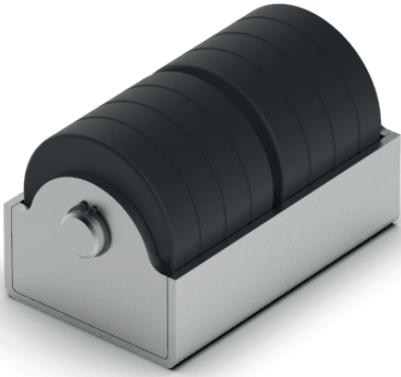
450-T12-003



2,450



10



Döner Takoz İkili Büyük
 2-roller Buffer Large



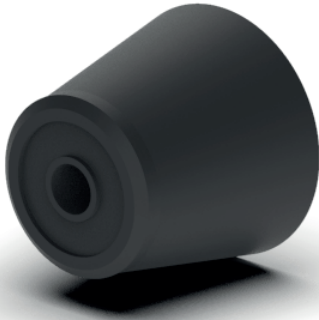
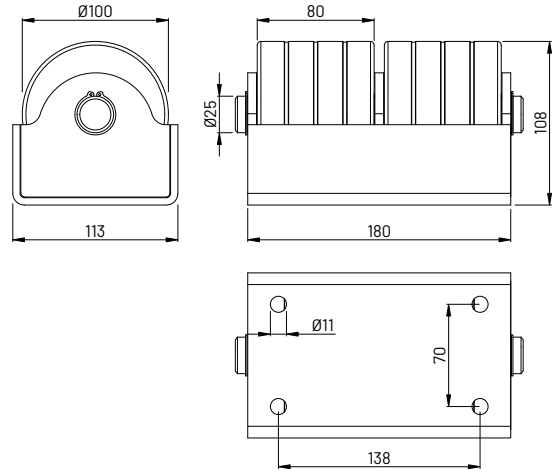
450-T12-004



4,500



6



Konik Takoz
 Conical Buffer



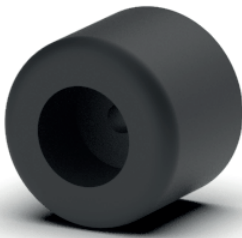
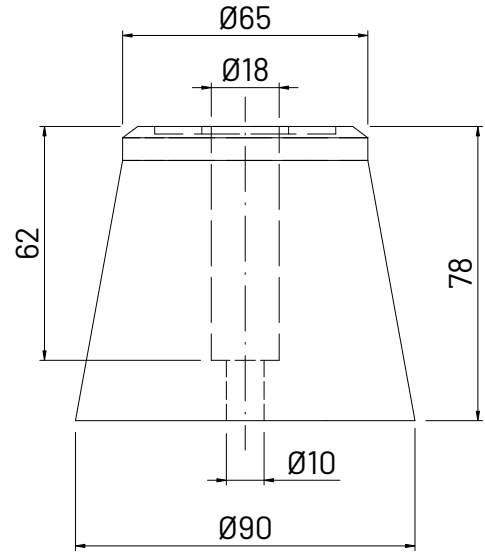
450-T13-001



0,370



50



Delikli Takoz
 Hollow Buffer



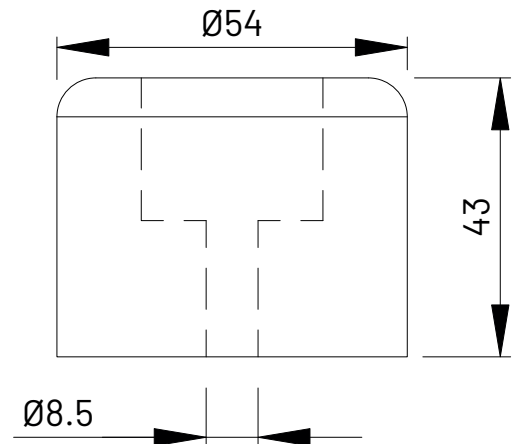
450-T14-001

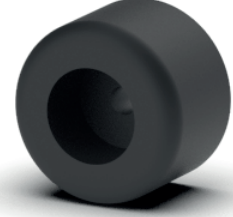
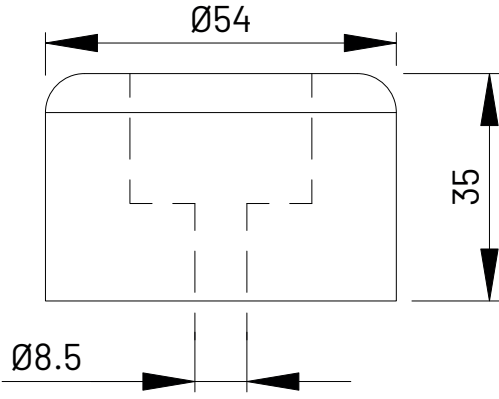


0,140



100





Delikli Takoz Küçük
Hollow Buffer



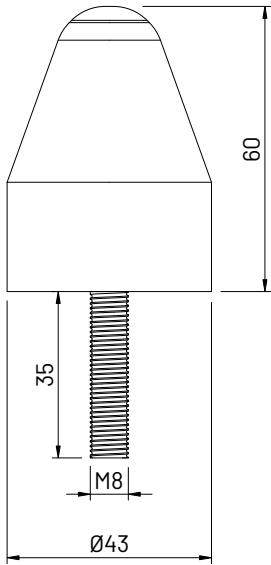
450-T14-002



0,110



100



Cıvatalı Takoz Küçük
Buffer with Threaded Stud Small



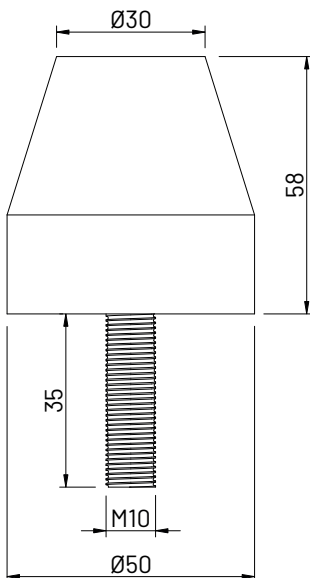
450-T15-001



0,115



100



Cıvatalı Takoz Büyük
Buffer with Threaded Stud Large



450-T15-002



0,145



100


Et Kancası Tekli Alüminyum
Meat Hook


450-E10-001

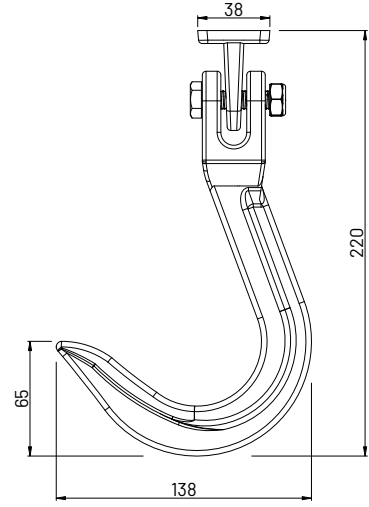


0,510



30

Alüminyum (Aluminium)


Et Kancası Yan Alüminyum
Meat Hook


450-E10-002

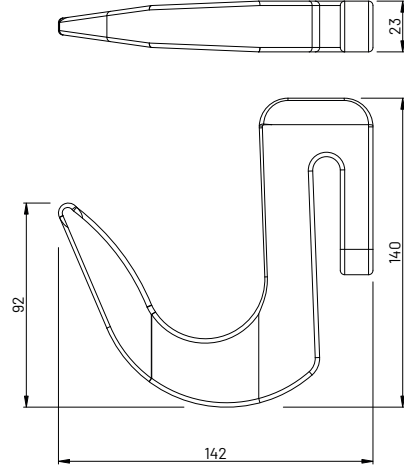


0,280



50

Alüminyum (Aluminium)


Et Kancası Çiftli Alüminyum
Meat Hook


450-E10-003

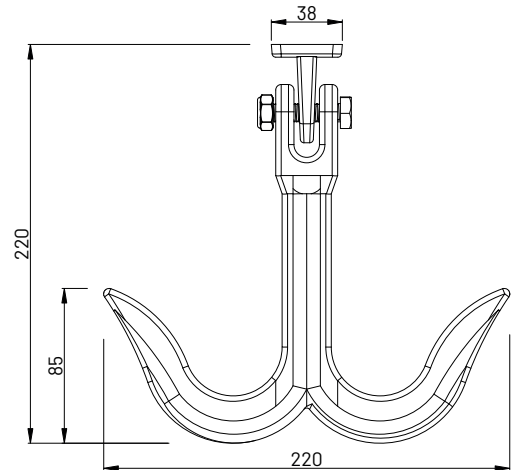


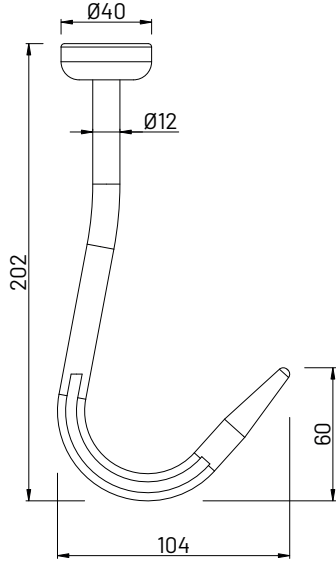
0,620



30

Alüminyum (Aluminium)

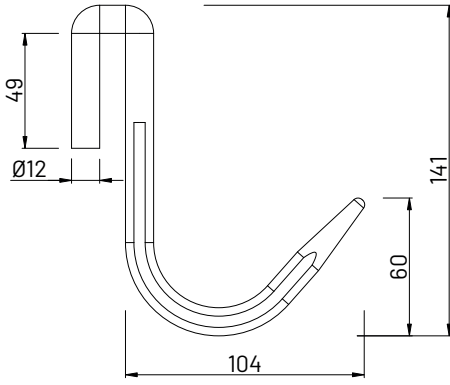




Et Kancası Tekli Krom
Meat Hook

Krom (SS)

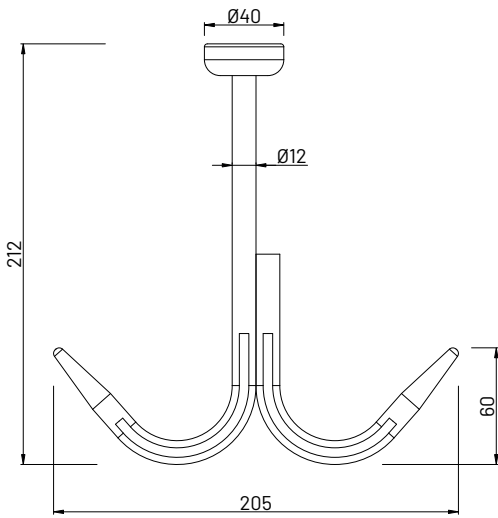
450-E10-004 0,270 50



Et Kancası Yan Krom
Meat Hook

Krom (SS)

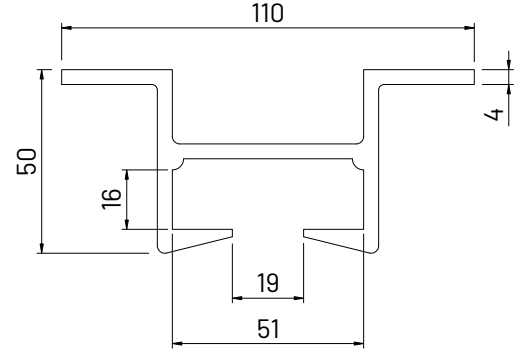
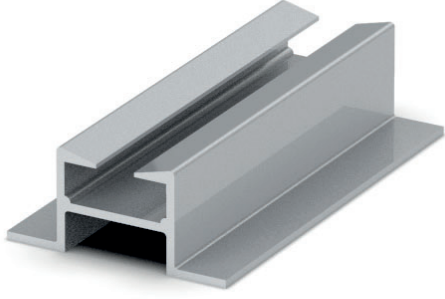
450-E10-005 0,240 50



Et Kancası Çiftli Krom
Meat Hook

Krom (SS)

450-E10-006 0,440 50



Et Rayı

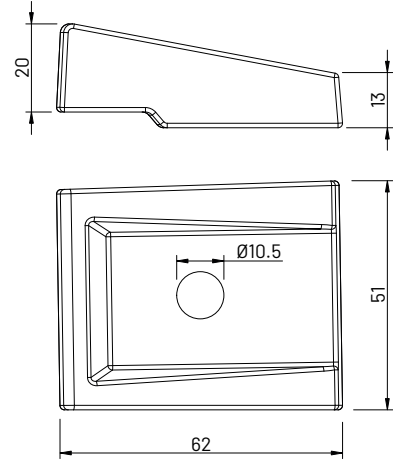
Rail for Meat Hook



Alüminyum (Aluminium)

450-E11-001

2,650



Et Rayı Braketi

Rail Bracket for Meat Hook

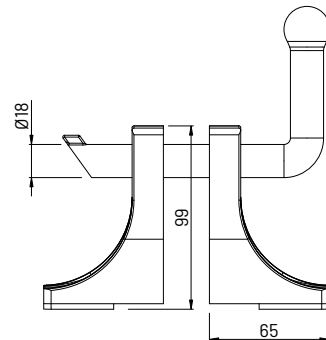
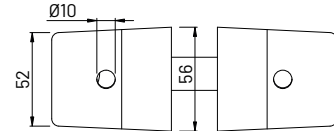


Alüminyum (Aluminium)

450-E12-001

0,100

100



Et Rayı Braketi

Rail Bracket for Meat Hook

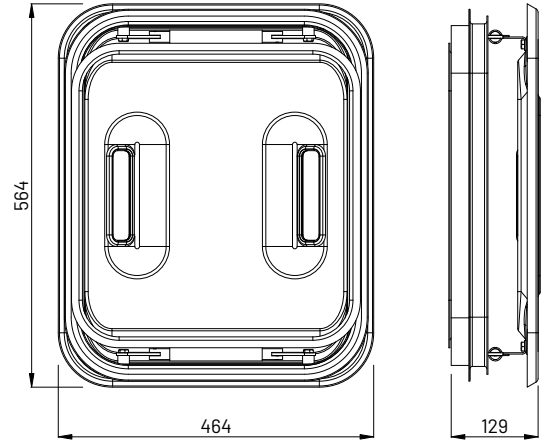


Alüminyum (Aluminium)

450-E12-002

0,630

30



Havalandırma Ventilator

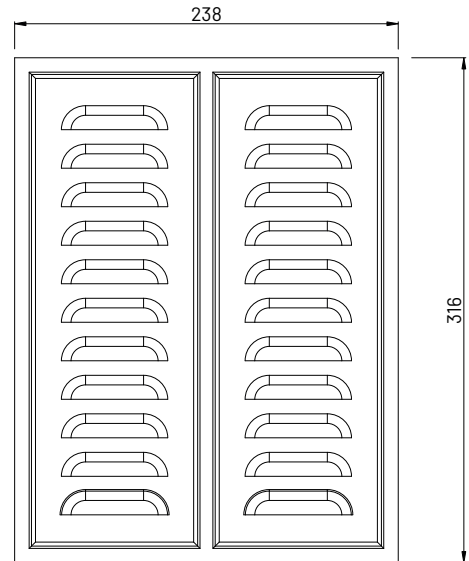
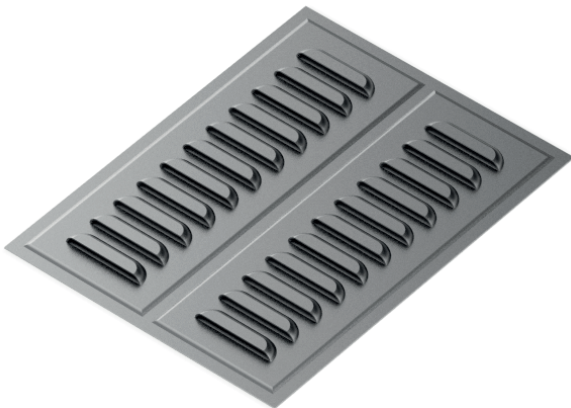
Boyalı (Painted)



450-H10-002



8,000



Panjur Shutter

Alüminyum (Aluminium)



450-H11-002



0,200



50

Krom (SS)

450-H11-003

0,600

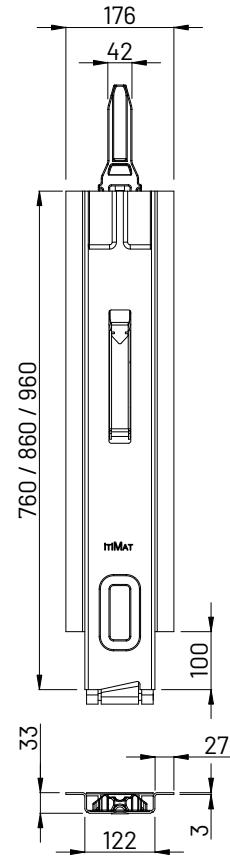
20



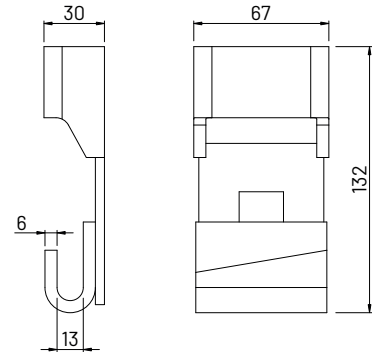
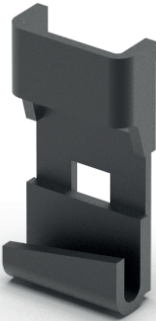


Treyler Kapak Ürünleri

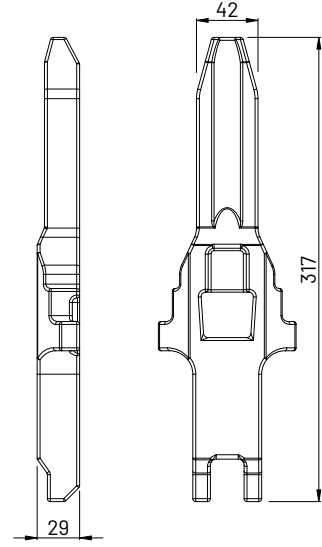
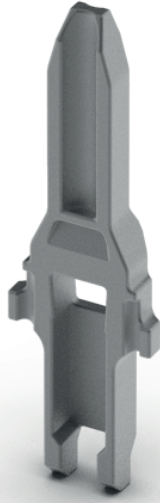
Trailer Pillars, Locks, Hinges


Kırma Baba
 Dropside Pillar

| Üstü Kapalı (Without Cam) | 450-D10-001 | 12,200 |
|---------------------------|-------------|--------|
| 76 cm | 450-D10-002 | 14,500 |
| 86 cm | 450-D10-003 | 15,800 |
| 96 cm | 450-D10-004 | 17,200 |


Kırma Baba Alt J
 Bearing for Dropside Pillar

| | 450-D10-005 | 0,560 |
|--|-------------|-------|



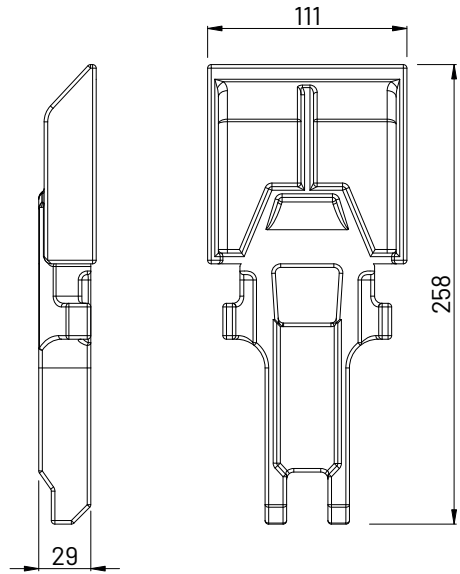
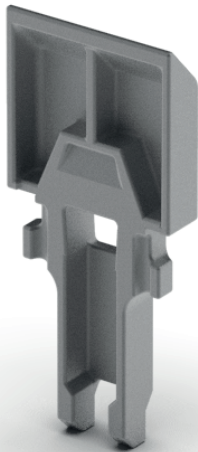
Kırma Baba Üst Füz
Connection Cam for Dropside Pillar



450-D10-006



2.000



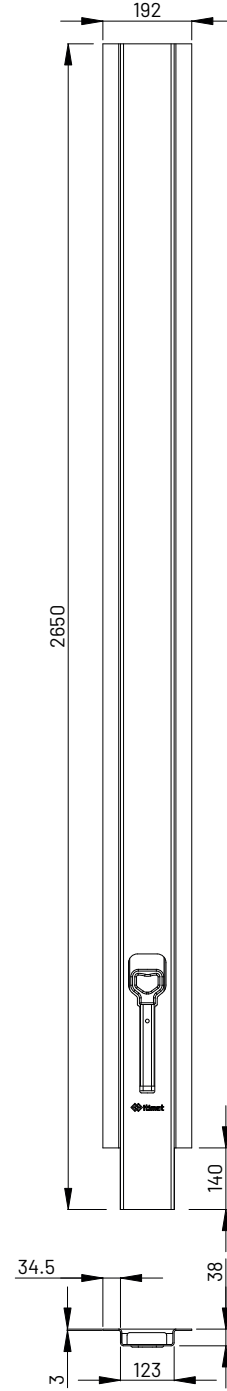
Kırma Baba Üst Kürek
Connection Cam for Dropside Pillar



450-D10-007



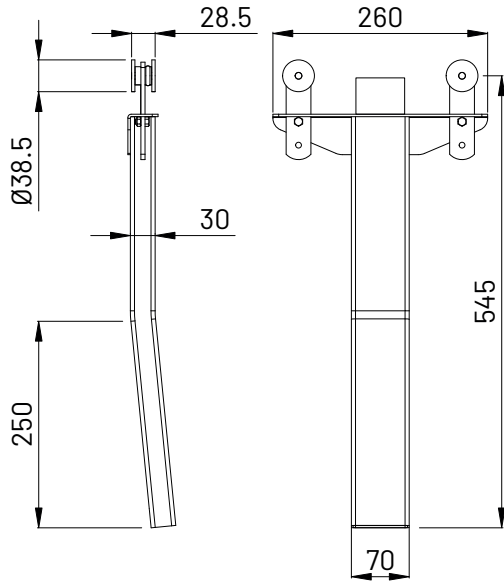
2.300

**Yürür Baba**
Sliding Pillar

450-D10-019



21.500



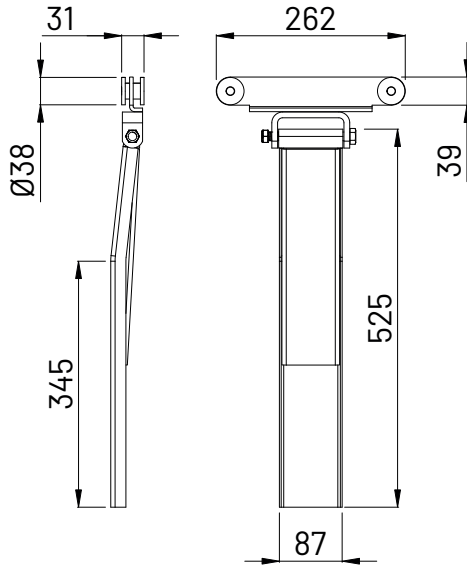
Yürür Baba Makarası
Top Roller for Sliding Pillar



450-D10-020



2,300



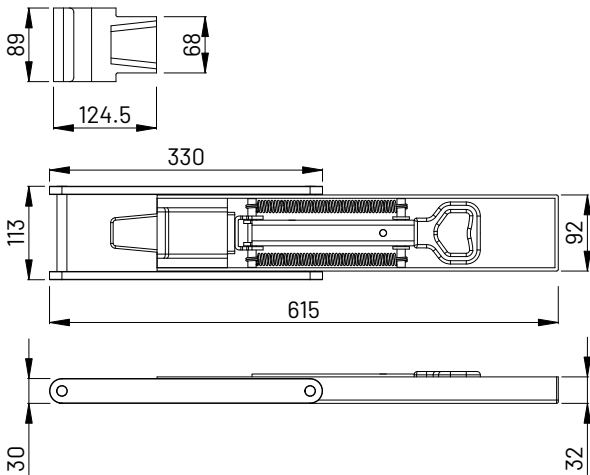
Yürür Baba Makarası
Top Roller for Sliding Pillar



450-D10-009



3,000



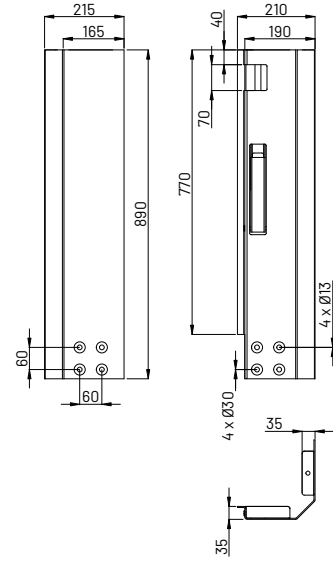
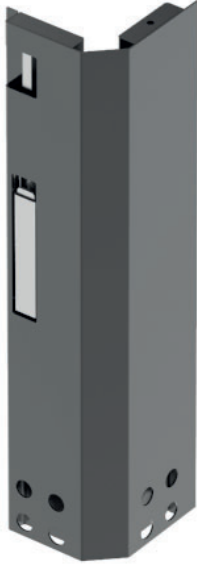
Yürür Baba Mekanizması
Mechanism for Sliding Pillar



450-D10-010



6,750



Ön Baba (Sağ-Sol)

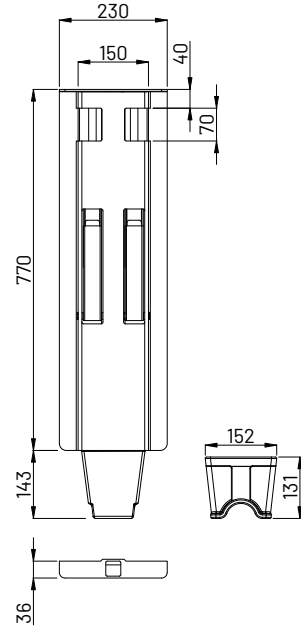
Frontal Pillar (Left-Right)



450-D10-016



25,000



Orta Baba

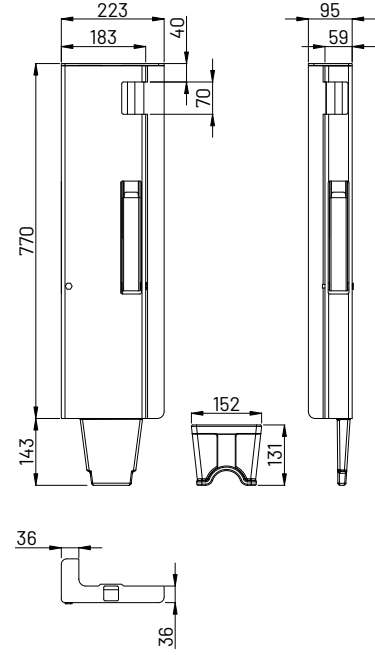
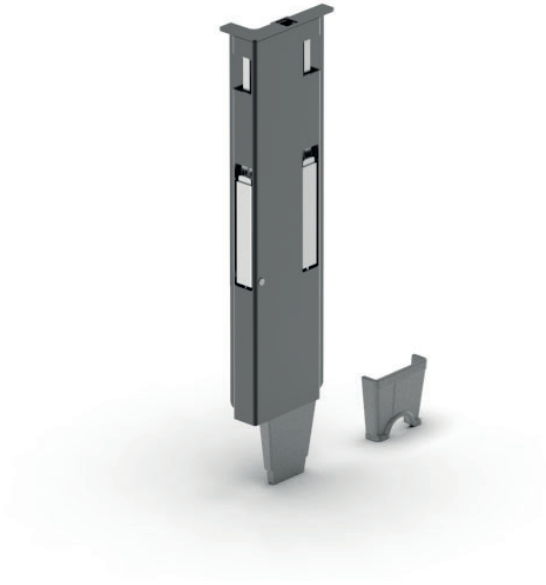
Middle Pillar



450-D10-012



18,500



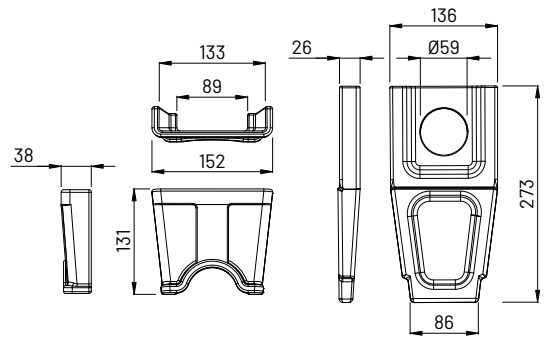
Arka Baba (Sağ-Sol)
Rear Pillar (Left-Right)



450-D10-014



19,500



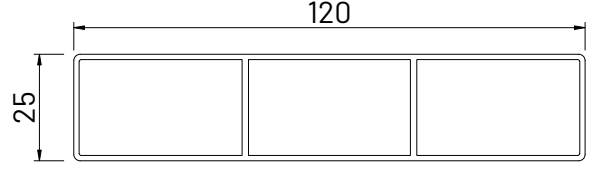
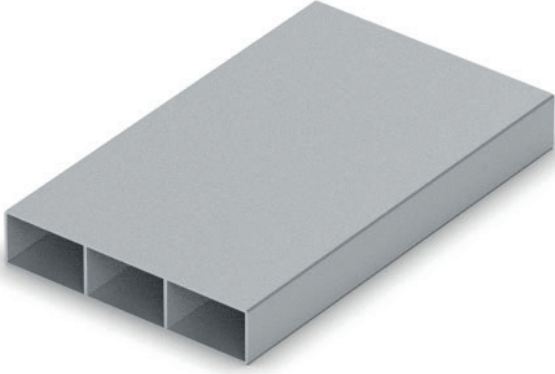
Çelik Baba Yatağı
Forged Pillar Socket



450-D10-017



5,800

**Tahtalık Alüminyum Profil**

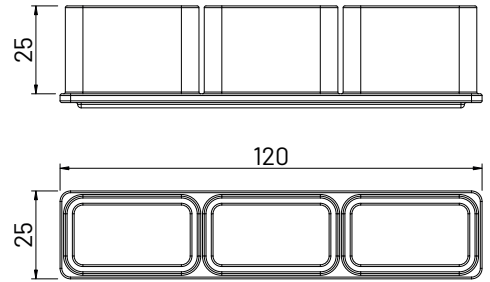
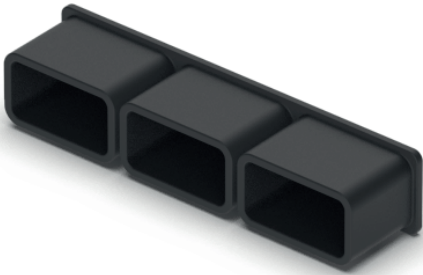
Aluminium Profile



450-D10-021



1,100

**Tahtalık Profili Tapası**

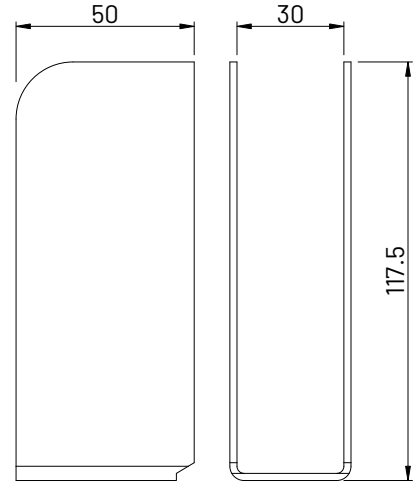
Plug for Aluminium Profile



450-D10-022



0,030



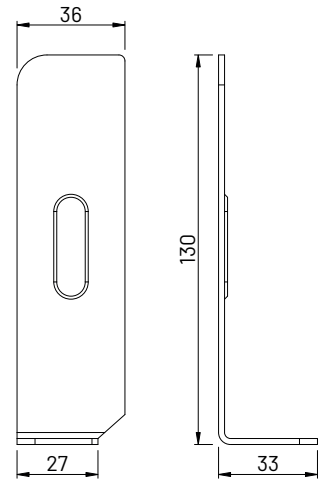
Tahtalık U Tipi Yuva
Socket



450-D10-023



0,180



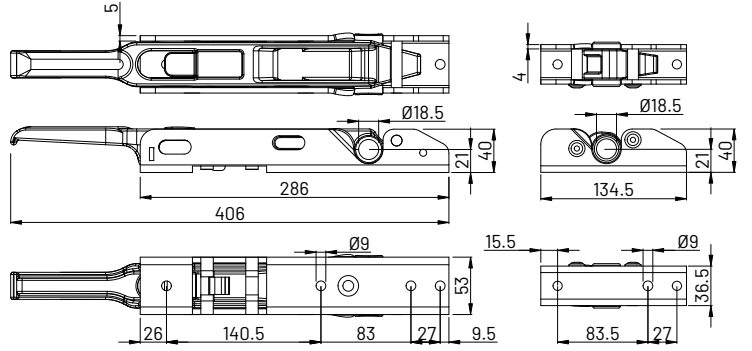
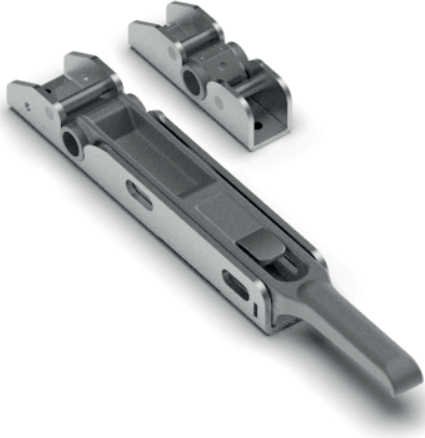
Tahtalık L Tipi Yuva
Socket



450-D10-024



0,075



Arka Kapı Gizli Kilit

Rear Door Lock with Cam & Keeper



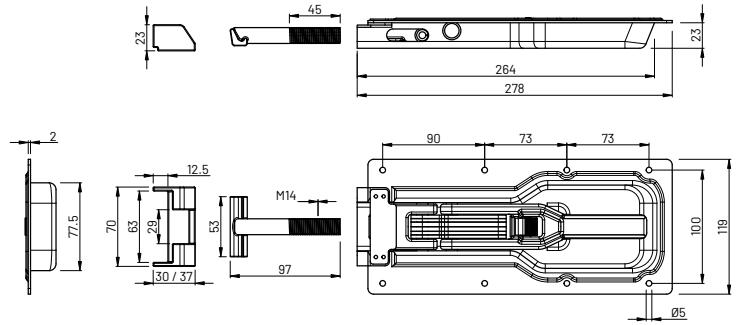
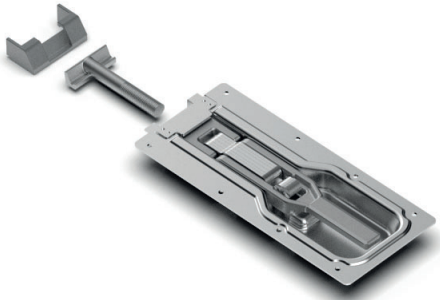
450-D14-001



2,950



8



T Başlı Kilit

Horizontal Dropside Lock



450-D12-007



1,700



15

Takım (With Cam & Keeper)

T Parçası (Cam)

450-D12-008

0,150

Karşılık 37 mm (Keeper 37 mm)

450-D12-009

0,150

Karşılık 30 mm (Keeper 30 mm)

450-D12-012

0,130



Dikey Kilitleme Sistemi Profil

Vertical Dropside Lock in Profile



450-D12-001



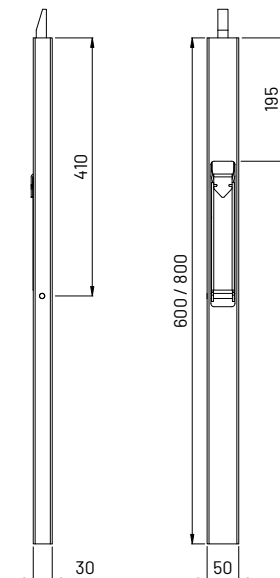
2,100

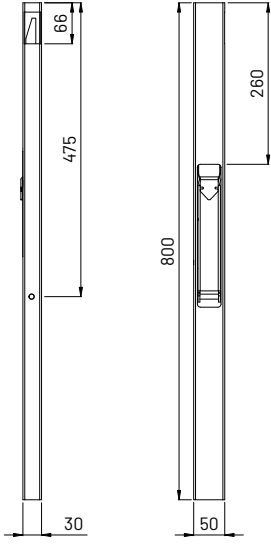
60 cm

450-D12-002

2,500

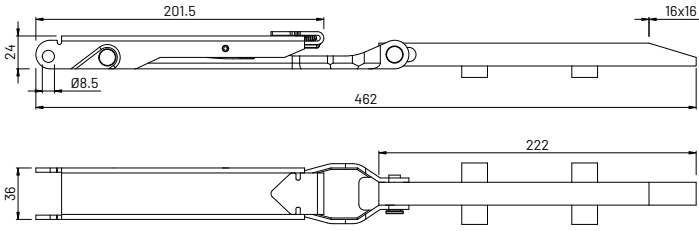
80 cm





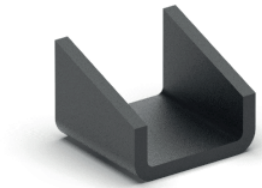
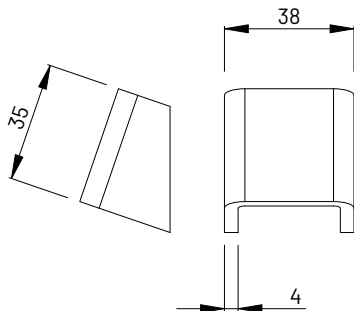
Dikey Kilitleme Sistemi Profil Gizli
Vertical Dropside Lock in Profile

| | |
|-------------|-------|
| | |
| 450-D12-003 | 2,500 |



Dikey Kilitleme Sistemi Mekanizması Profil
Vertical Dropside Lock for Profile

| | |
|-------------|-------|
| | |
| 450-D12-014 | 1,000 |



Profil Dikey Kilit Karşılığı
Keeper for Vertical Dropside Lock in Profile

| | |
|-------------|-------|
| | |
| 450-D12-019 | 0,075 |

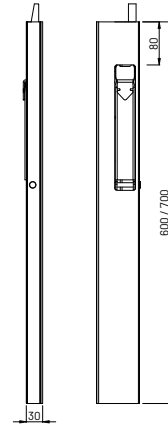


Dikey Kilitleme Sistemi Alüminyum

Vertical Dropside Lock in Aluminium Profile



| | | |
|-------|-------------|-------|
| 60 cm | 450-D12-016 | 1,600 |
| 70 cm | 450-D12-004 | 1,750 |

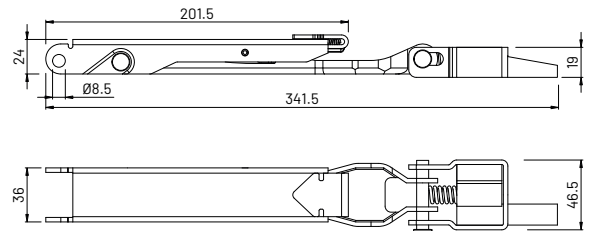
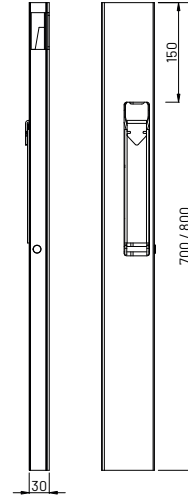


Dikey Kilitleme Sistemi Alüminyum Gizli

Vertical Dropside Lock in Aluminium Profile



| | | |
|-------|-------------|-------|
| 70 cm | 450-D12-017 | 1,750 |
| 80 cm | 450-D12-005 | 1,900 |

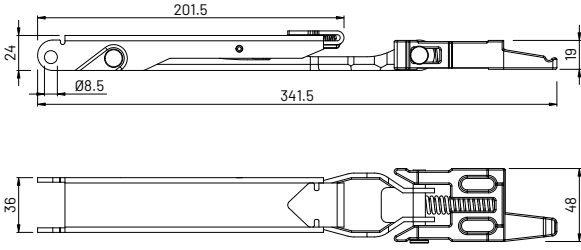


Dikey Kilitleme Sistemi Mekanizması Alüminyum

Vertical Dropside Lock for Aluminium Profile



| | |
|-------------|-------|
| 450-D12-018 | 0,750 |
|-------------|-------|



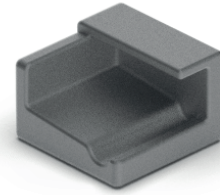
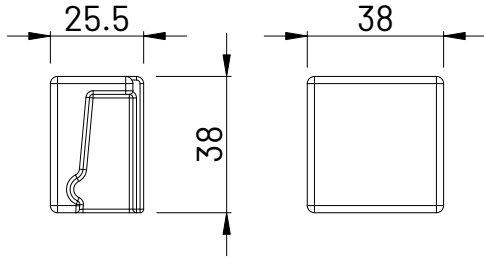
Dikey Kilitleme Sistemi Mekanizması Alüminyum
Vertical Dropside Lock for Aluminium Profile



450-D12-006



0,800



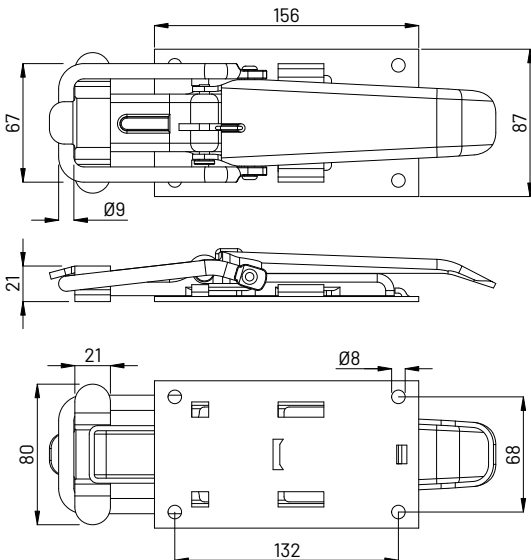
Alüminyum Dikey Kilit Karşılığı
Keeper for Vertical Dropside Lock in Aluminium Profile



450-D12-020



0,130



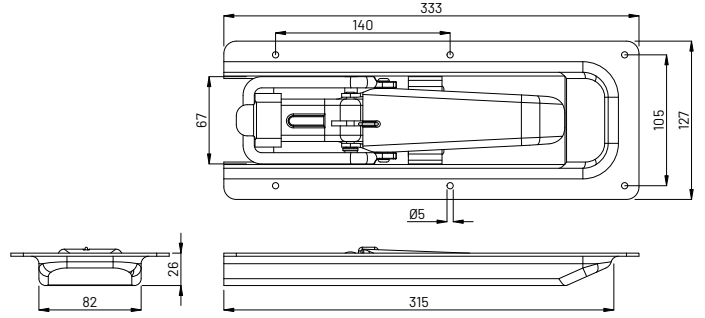
Düz Dorse Kiliti Dıştan
External Dropside Fastener



450-D12-010



1,000



Düz Dorse Kilidi Gömme

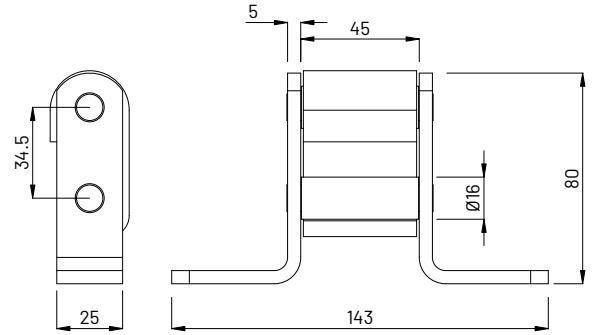
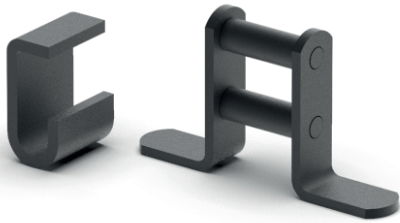
Recessed Dropside Fastener



450-D12-011



1,400



Silme Dorse Menteşesi

Dropside Hinge



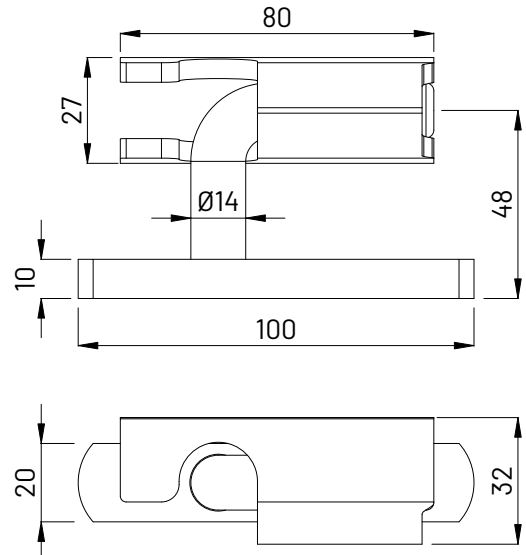
450-D13-001



0,570



50



Yuvarlak Dorse Menteşesi Sac Kapak

Dropside Hinge



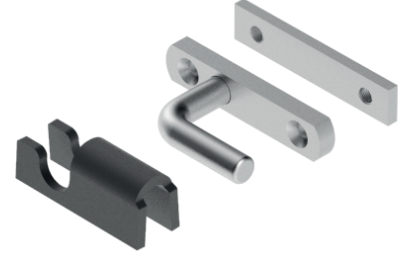
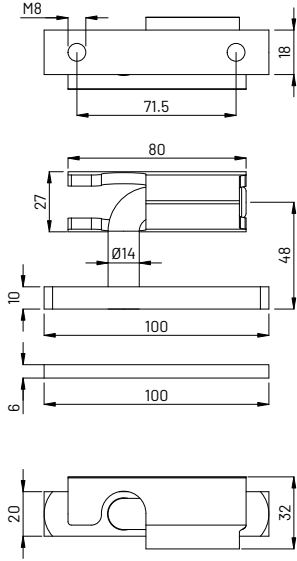
450-D13-002



0,410



50



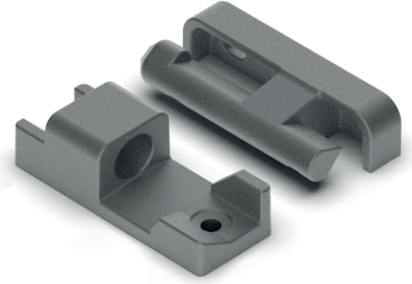
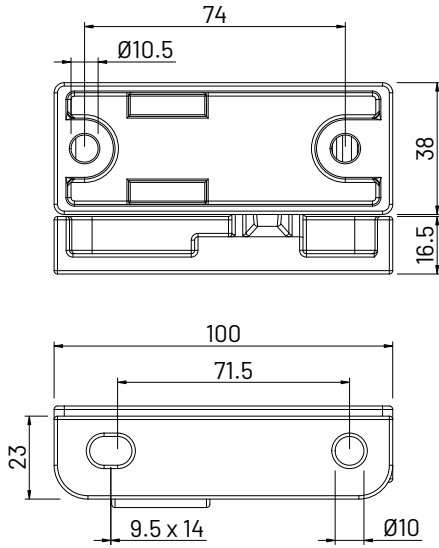
Yuvarlak Dorse Menteşesi Alüminyum Kapak

Dropside Hinge

 450-D13-003

 0,540

 50



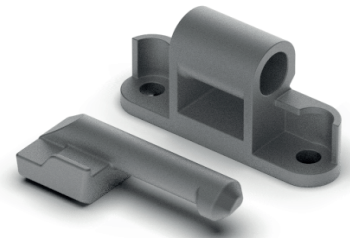
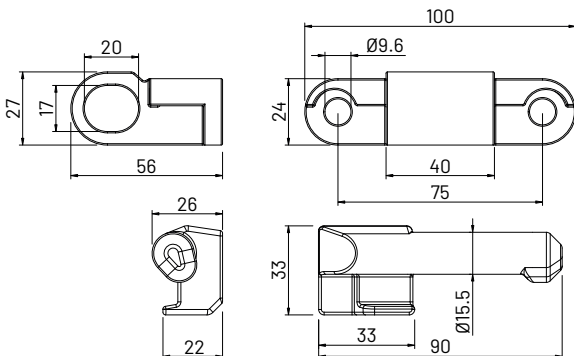
Döküm Menteşe

Dropside Hinge

 450-D13-004

 0,630

 40



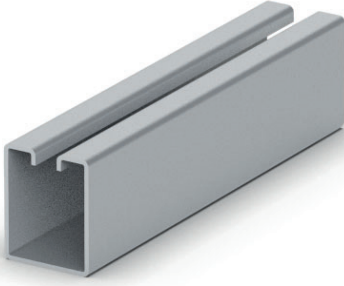
Mega Menteşe

Dropside Hinge

 450-D13-008

 0,570

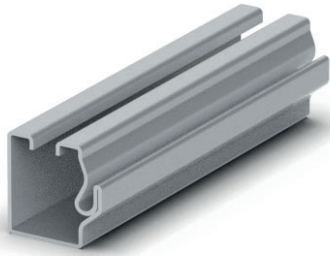
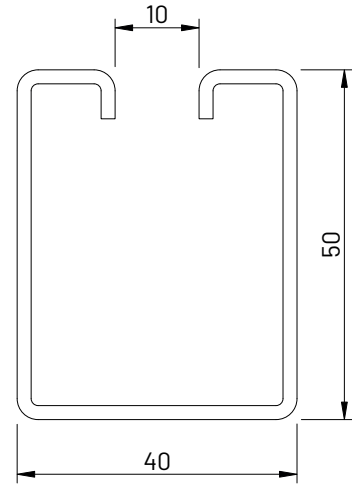
 40


Baba Rayı
 Sliding Pillar Rail


450-B15-001



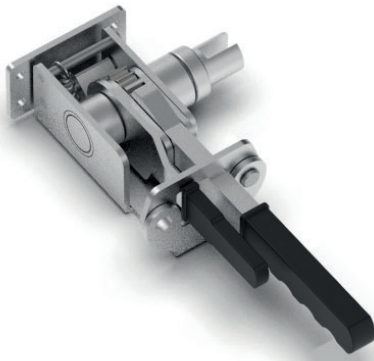
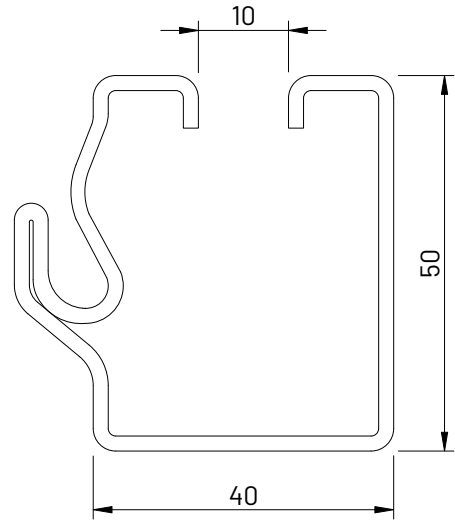
2,000


Perde Rayı
 Side Curtain Rail


450-B15-002



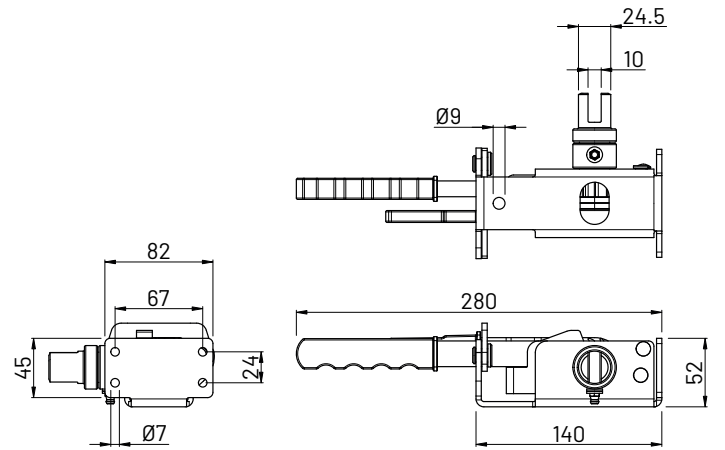
2,500

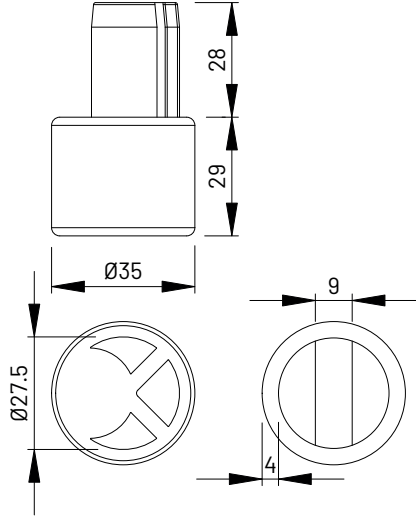

Branda Germe Aparatı
 Curtain Tensioner


450-B10-001



1,600





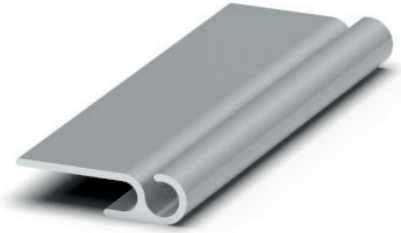
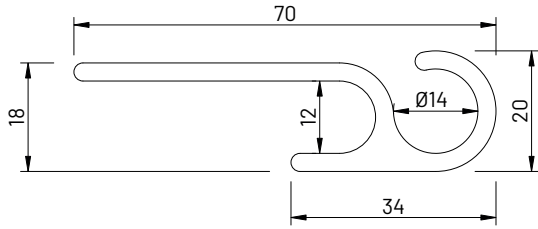
Adaptör
Adaptor



450-B10-002



0,250



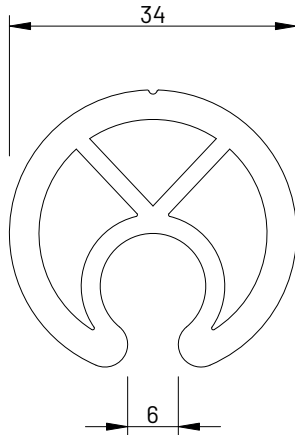
Branda Ön Gergi Profili
Aluminium Profile for Curtain Tensioner



450-B16-001



1,000



Branda Arka Gergi Profili
Aluminium Profile for Curtain Tensioner



450-B16-002



1,200



Branda Tekerli
Curtain Roller



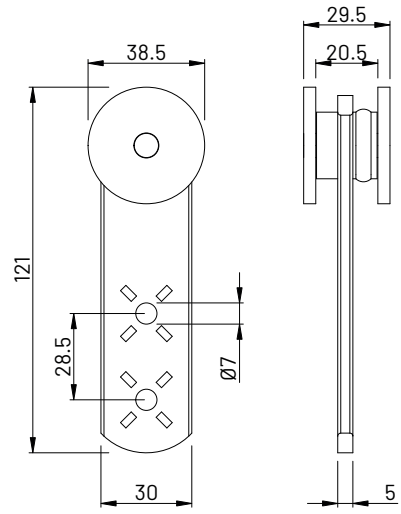
450-B11-001



0,230



100



Branda Tekerli Bükülü
Curtain Roller



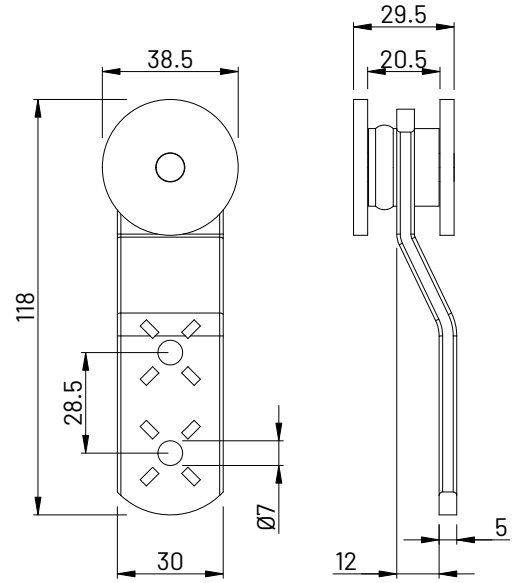
450-B11-002



0,230



100



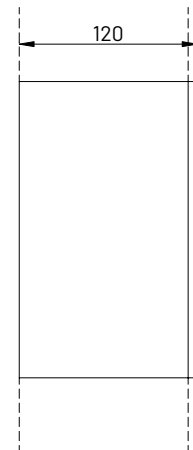
Perde Lastiği
Rubber Curtain Pelmet

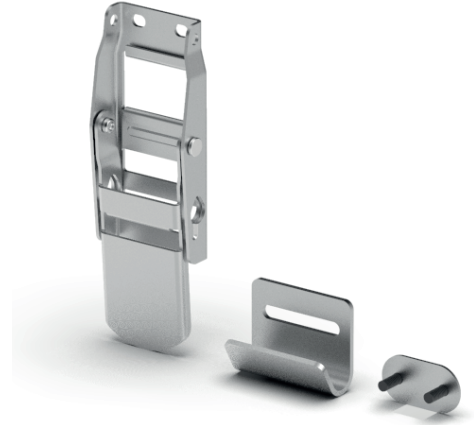
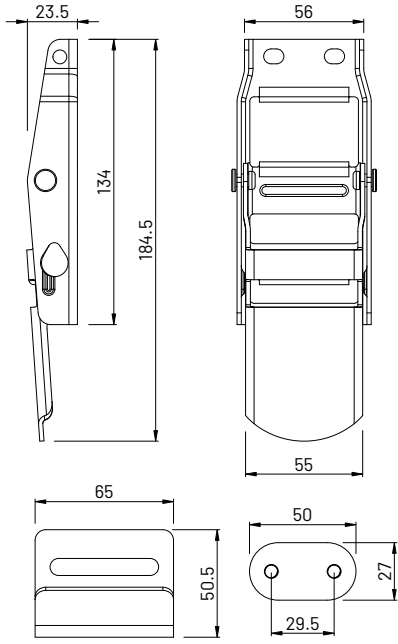


450-B12-001



0,500



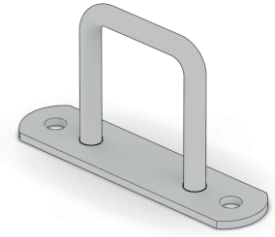
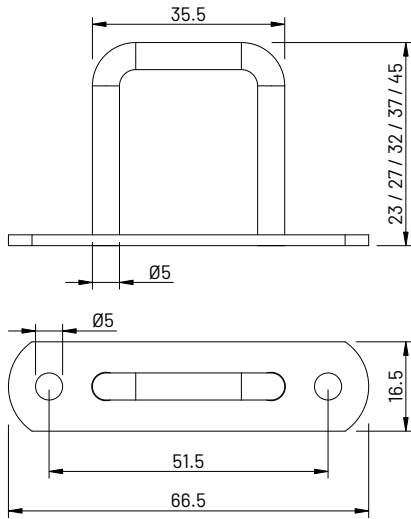


Branda Tokası

Buckle

Galvanizli (ZP)
Krom (SS)

| 450-B13-001 | | 0,330 | 50 |
|-------------|--|-------|----|
| 450-B13-002 | | | |

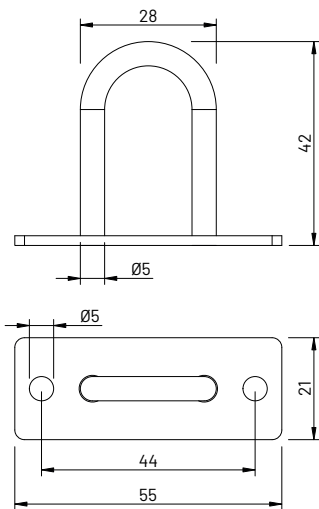


Branda Kancası Kare

Lashing Ring

23 mm
27 mm
32 mm
37 mm
45 mm

| 450-B14-480 | | 0,026 | |
|-------------|--|-------|-----|
| 450-B14-481 | | 0,027 | |
| 450-B14-482 | | 0,028 | 250 |
| 450-B14-483 | | 0,030 | |
| 450-B14-484 | | 0,032 | |



Branda Kancası Yuvarlak

Lashing Ring

450-B14-485

0,031

250


Branda Kancası Yuvarlak 4 Delikli
Lashing Ring

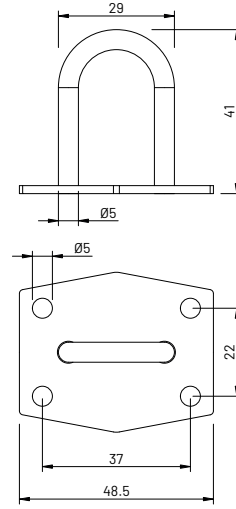

450-B14-486



0,039



250


Branda Kancası Oynar Baş (Sabit)
Lashing Ring

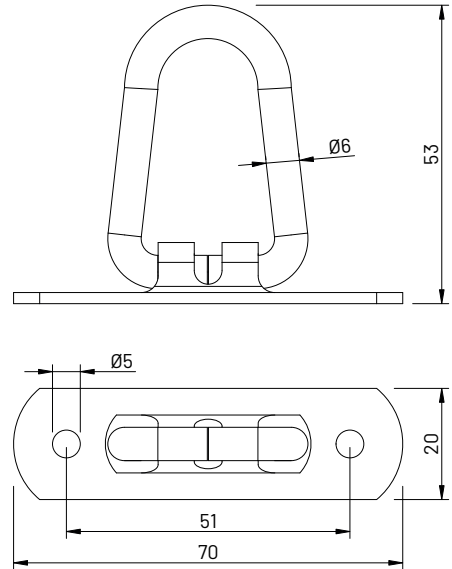

450-B14-487



0,048



250


Branda Kancası Oynar Baş (Seyyar)
Lashing Ring


450-B14-871



0,032



250

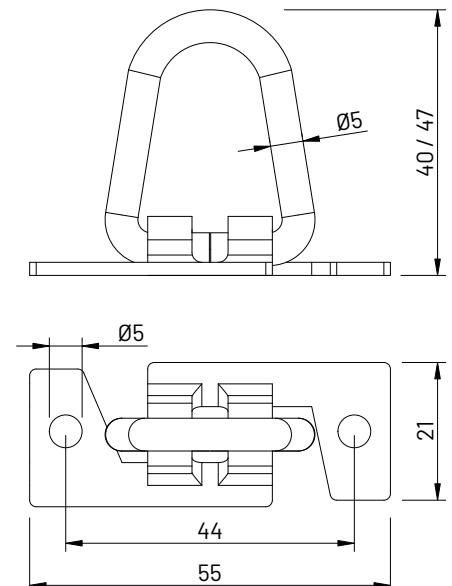
40 mm

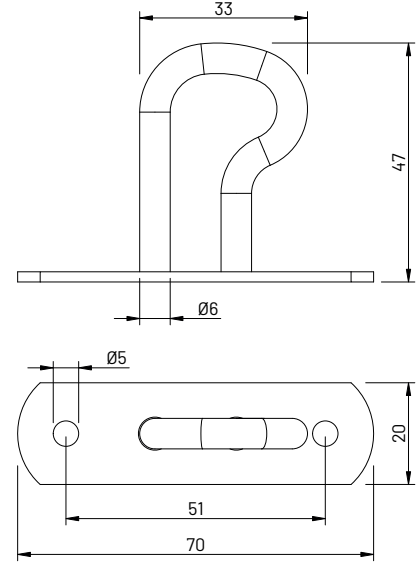
47 mm

450-B14-888

0,034

250





Branda Kancası Radüslü

Lashing Ring



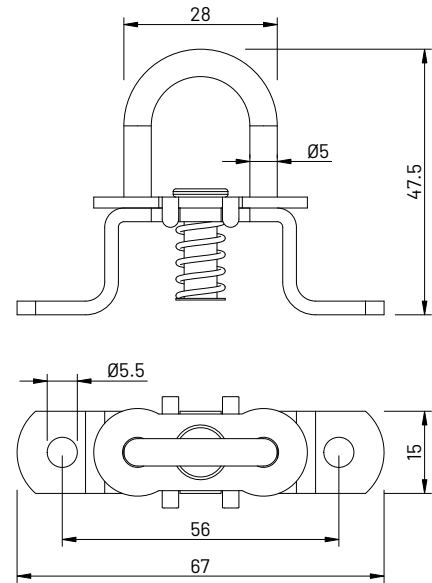
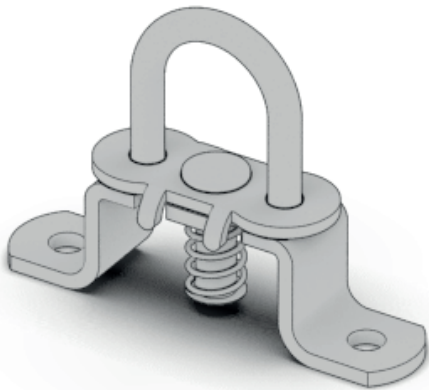
450-B14-489



0,044



250



Branda Kancası Yaylı

Lashing Ring



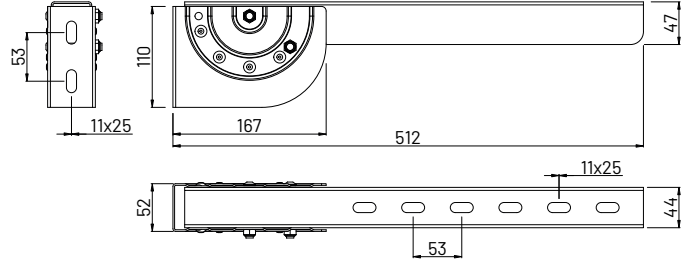
450-B14-490



0,048



250



Bariyer Ayağı Bilyalı Kısa

Leg for Side Underrun Bar Short



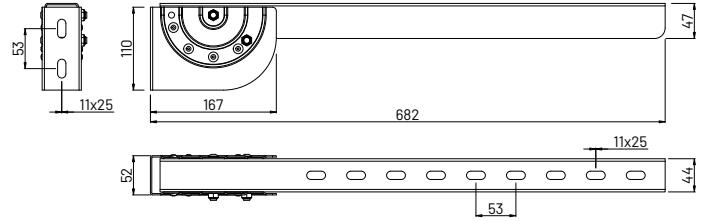
450-U10-004



1,650



12



Bariyer Ayağı Bilyalı Uzun

Leg for Side Underrun Bar Long



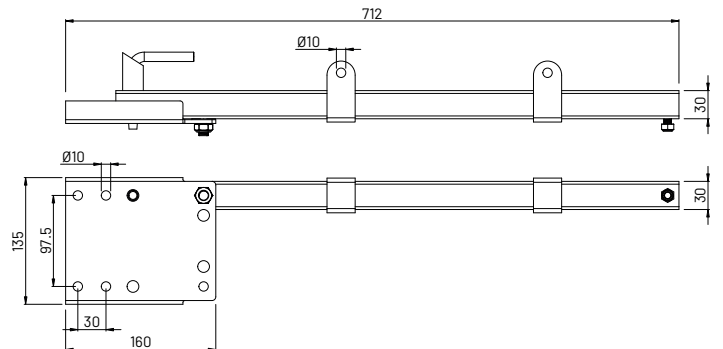
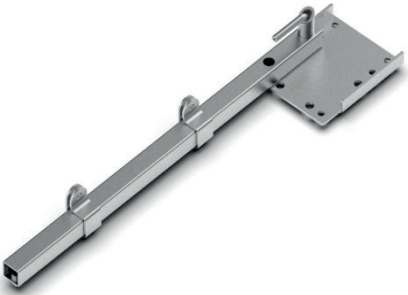
450-U10-005



1,900



12



Bariyer Ayağı Mekanizmalı

Leg for Side Underrun Bar



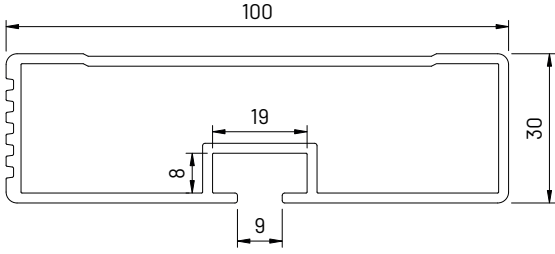
450-U10-003



2,000



10



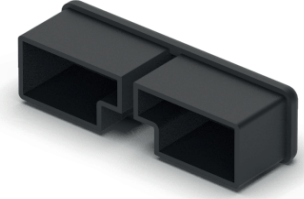
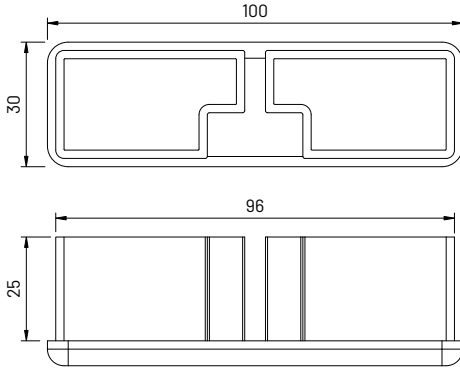
Bariyer Alüminyum Profil
Aluminium Side Underrun Bar



450-U11-001



1,000



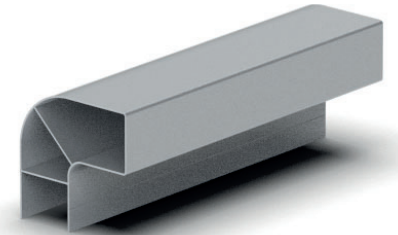
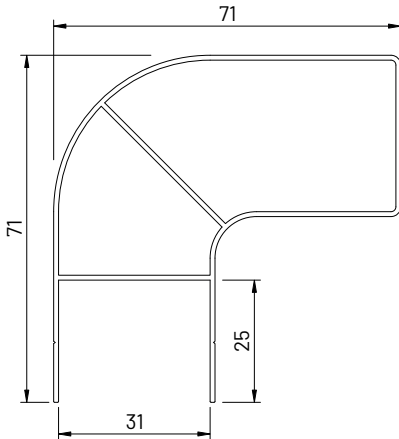
Bariyer Alüminyum Tapası
Plug for Aluminium Side Underrun Bar



450-U12-001



0,023



Bariyer Köşe Alüminyum Profil
Aluminium Corner Profile



450-U13-001



1,000



Bariyer Köşe Alüminyum Tapası

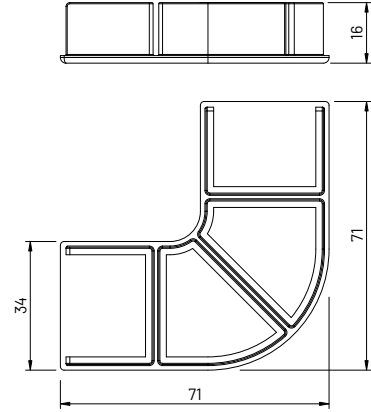
Plug for Aluminium Corner Profile



450-U14-001



0,015



Bariyer Köşe Çiftli Plastik

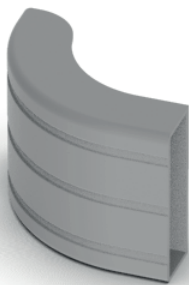
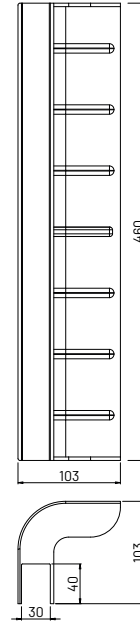
Plug for Aluminium Side Underrun Bar



450-U15-001



0,420



Bariyer Köşe Tekli Plastik

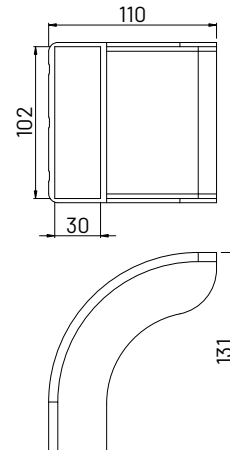
Plug for Aluminium Side Underrun Bar

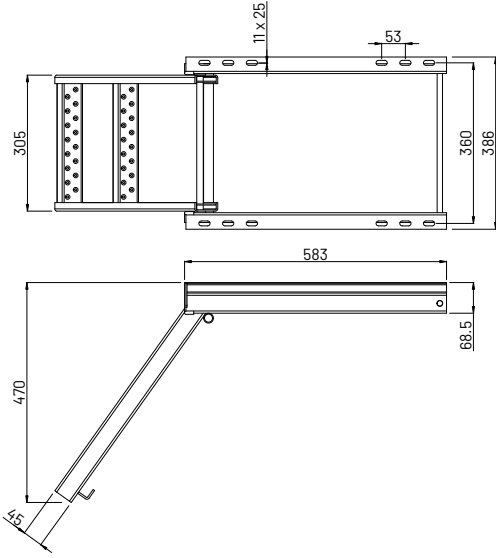


450-U15-002



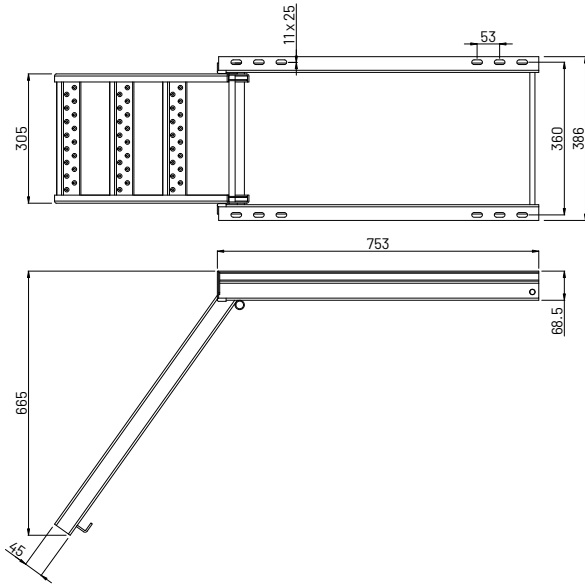
0,100





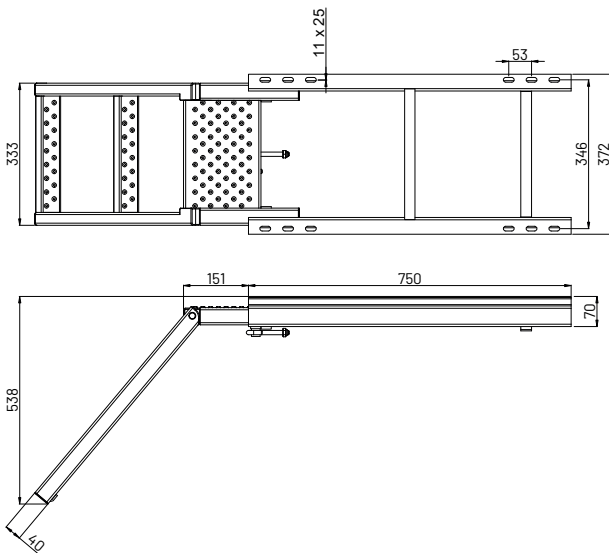
İkili Merdiven
2-foot Ladder

| | | |
|-------------|-------|---|
| | | |
| 450-L10-001 | 6,700 | 2 |



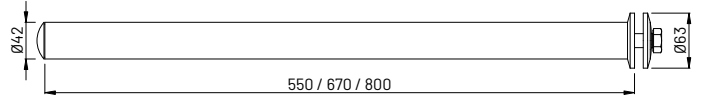
Üçlü Merdiven
3-foot Ladder

| | | |
|-------------|-------|---|
| | | |
| 450-L11-001 | 8,400 | 2 |



Platformlu Merdiven
Ladder with Platform

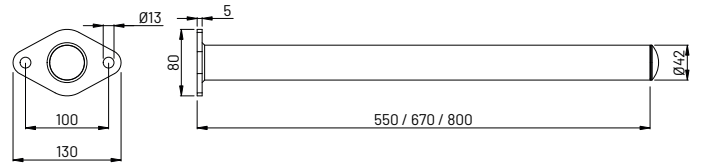
| | | |
|-------------|--------|---|
| | | |
| 450-L11-002 | 10,500 | 2 |



Çamurluk Borusu

Tube for Mudguard

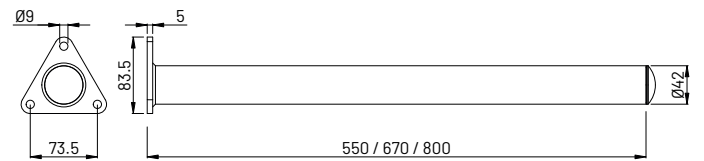
| 55 cm | 450-C10-001 | 1,150 | |
|-------|-------------|-------|----|
| 67 cm | 450-C10-002 | 1,350 | 10 |
| 80 cm | 450-C10-003 | 1,550 | |



Çamurluk Borusu 2 Delikli

Tube for Mudguard

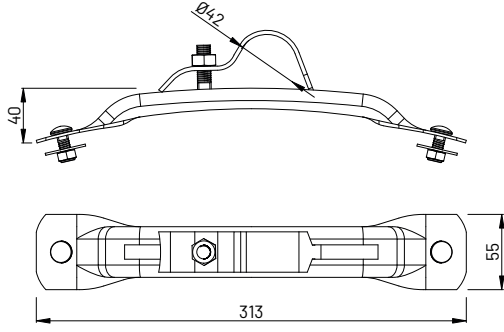
| 55 cm | 450-C10-004 | 1,050 | |
|-------|-------------|-------|----|
| 67 cm | 450-C10-005 | 1,250 | 10 |
| 80 cm | 450-C10-006 | 1,450 | |



Çamurluk Borusu 3 Delikli

Tube for Mudguard

| 55 cm | 450-C10-007 | 0,950 | |
|-------|-------------|-------|----|
| 67 cm | 450-C10-008 | 1,150 | 10 |
| 80 cm | 450-C10-009 | 1,350 | |



Çamurluk Keleçesi Küçük

Mudguard Clamp Small



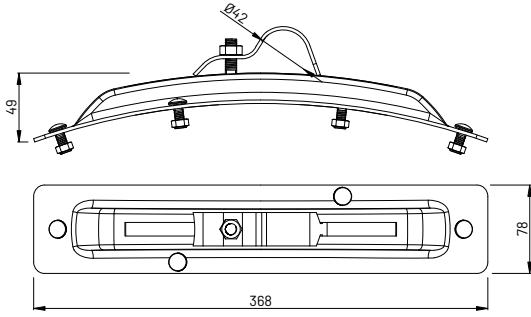
450-C11-001



0,420



50



Çamurluk Keleçesi Büyük

Mudguard Clamp Large



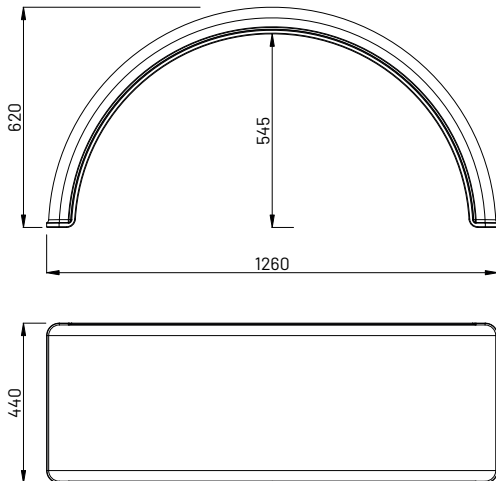
450-C11-002



0,680



50



Tekli Çamurluk Düz 45x200

1-wheel Mudguard 45x200



450-C12-002



3,700



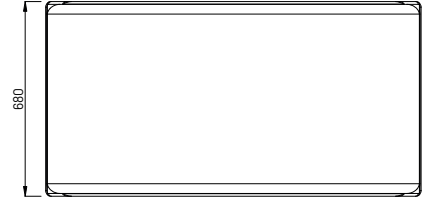
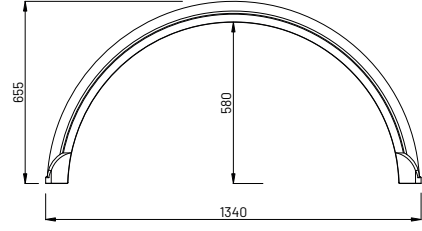
Çiftli Çamurluk Düz 65x210
2-wheel Mudguard 65x210



450-C12-014



6,000



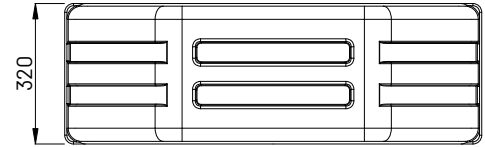
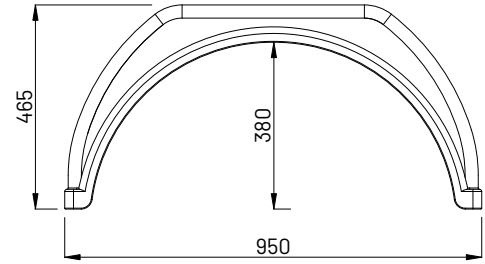
Tekli Çamurluk Üstü Düz 30x153
1-wheel Mudguard 30x153



450-C12-021



2,400



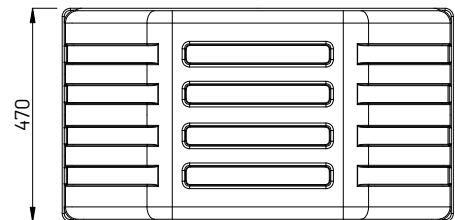
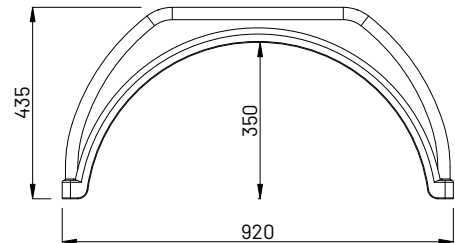
Çiftli Çamurluk Üstü Düz 50x146
2-wheel Mudguard 50x146

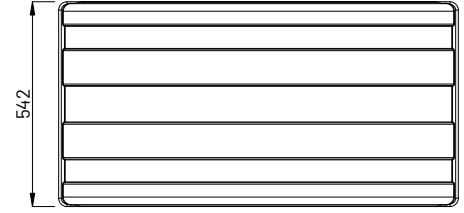
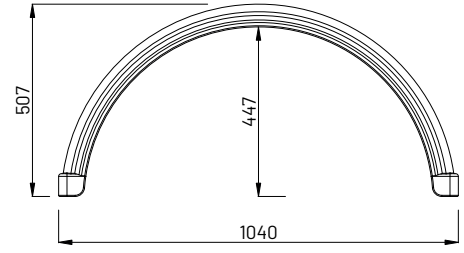


450-C12-028



3,200





Çiftli Çamurluk Kanallı 53x160

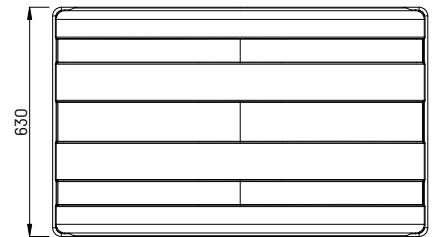
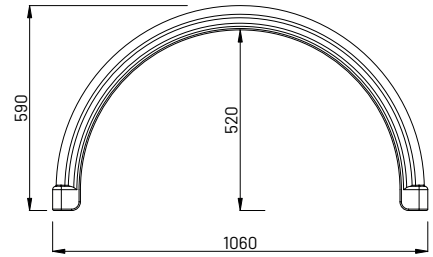
2-wheel Mudguard 53x160



450-C12-025



3,300



Çiftli Çamurluk Kanallı 62x175

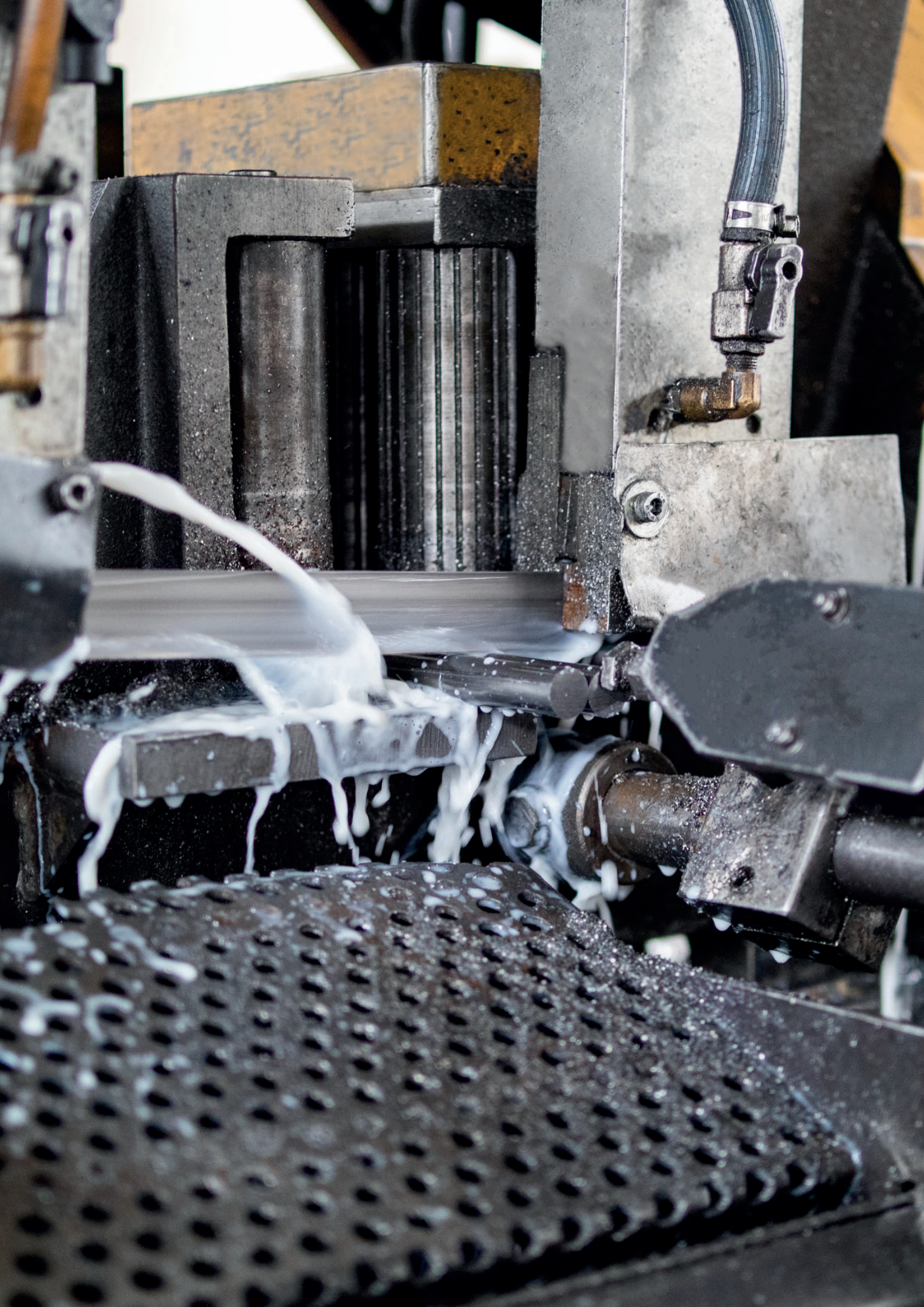
2-wheel Mudguard 62x175

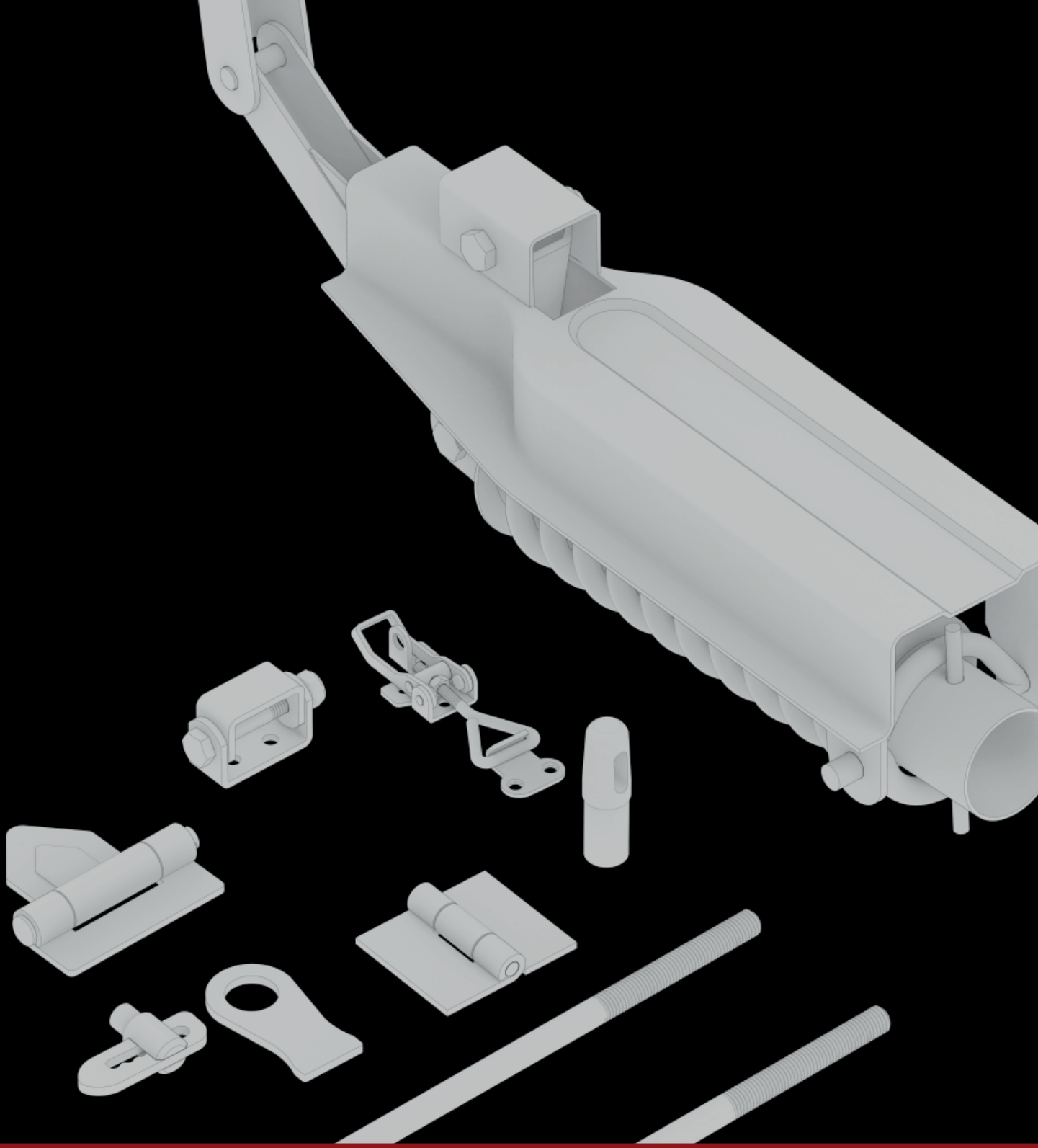


450-C12-027



5,000





Ahşap ve Damper Kasa Ürünleri

Open Box Products

**Kapak Erkeği 22 mm**

Open Box Pin 22 mm



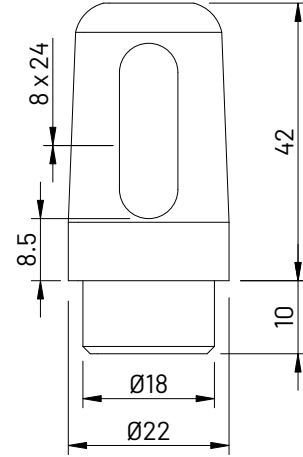
450-A10-001



0,100



250

**İlave Erkeği 22 mm**

Open Box Pin 22 mm



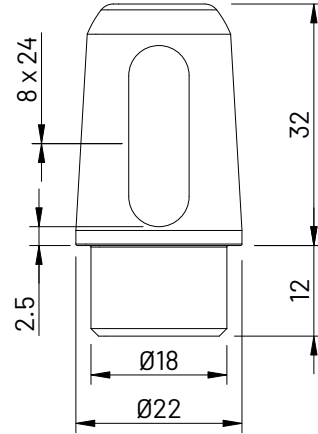
450-A10-002



0,080



250

**Kapak Erkeği Kısa 24 mm**

Open Box Pin 24 mm



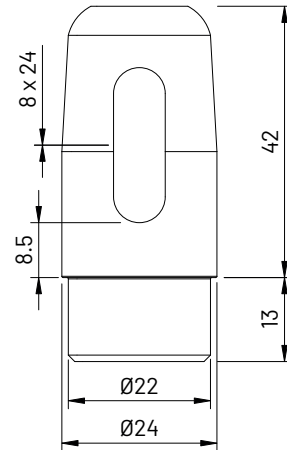
450-A10-003

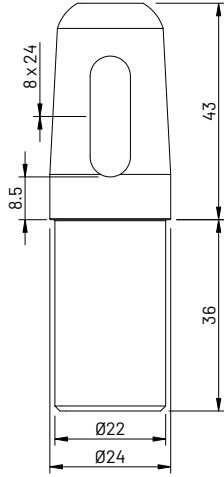


0,135



150





Kapak Erkeği 24x36mm
Open Box Pin 24x36 mm



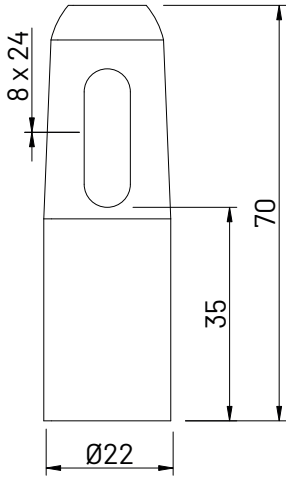
450-A10-004



0,200



150



İlave Erkeği 22x70 mm
Open Box Pin 22x70 mm



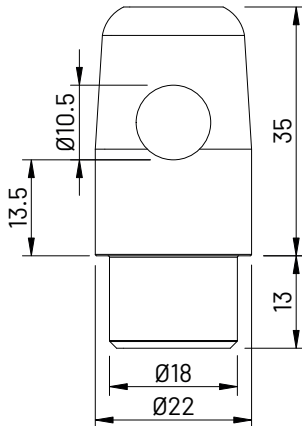
450-A10-005



0,165



150



Tek Delik Erkek 22 mm
Open Box Pin 22 mm



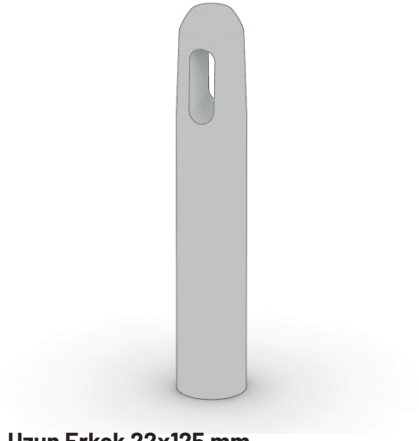
450-A10-006



0,105



250



Uzun Erkek 22x125 mm

Open Box Pin 22x125 mm



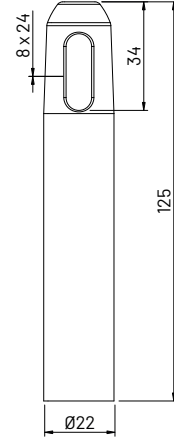
450-A10-007



0,320



50



Arkasız Römork Erkeği

Open Box Pin



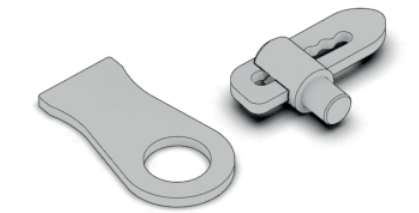
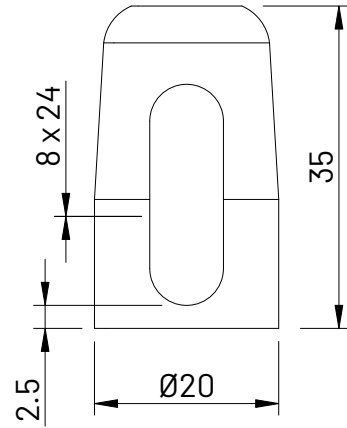
450-A10-008



0,060



250



Tırtıllı Kilit

Open Box Pin



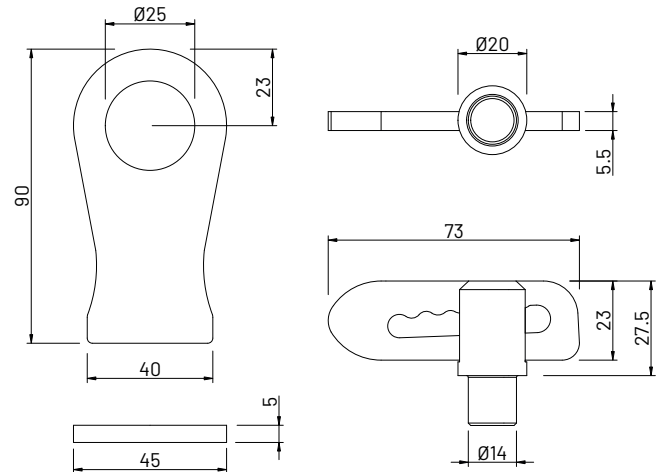
450-A10-009

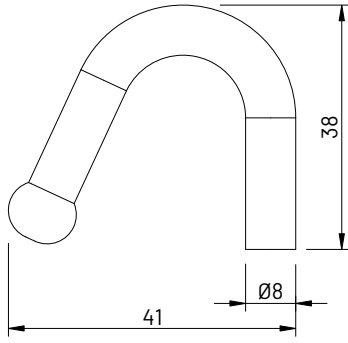


0,220



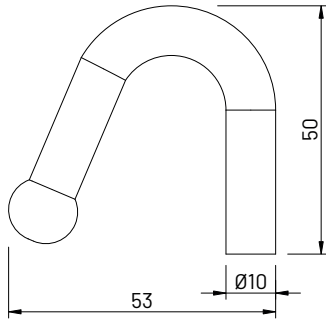
100





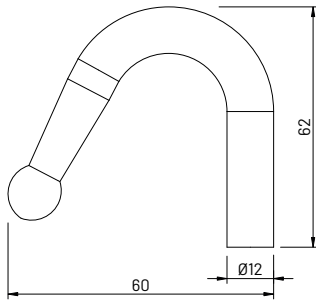
Bağaj Kancası Ø8
Lashing Hook Ø8

| | | |
|-------------|-------|-----|
| | | |
| 450-A11-001 | 0,038 | 500 |



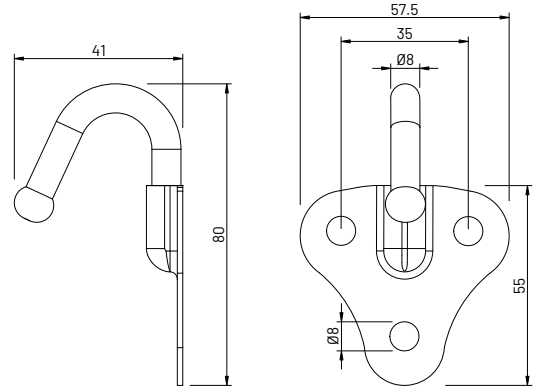
Bağaj Kancası Ø10
Lashing Hook Ø10

| | | |
|-------------|-------|-----|
| | | |
| 450-A11-002 | 0,065 | 500 |



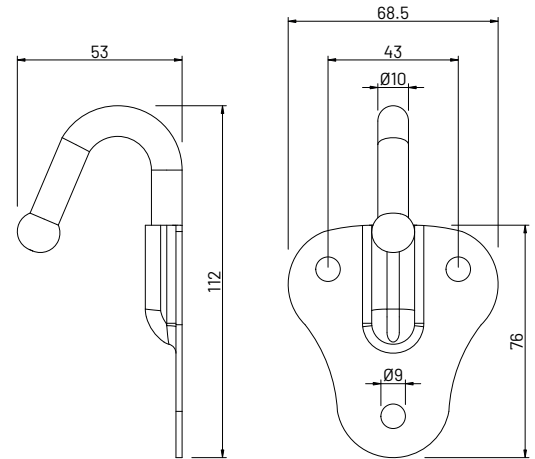
Kanca Demiri Ø12
Lashing Hook Ø12

| | | |
|-------------|-------|-----|
| | | |
| 450-A11-004 | 0,120 | 250 |


Saclı Kanca Ø8

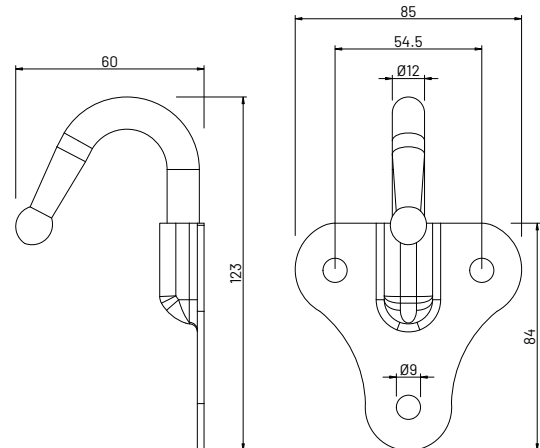
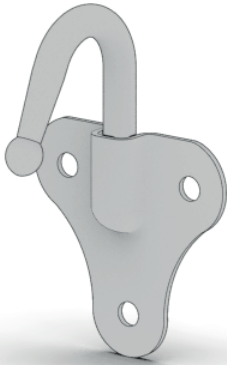
Lashing Hook with Plate Ø8

| Mat (Self Colour) | 450-A11-005 | 0,064 | 250 |
|-------------------|-------------|-------|-----|
| Galvanizli (ZP) | 450-A11-006 | | |


Saclı Kanca Ø10

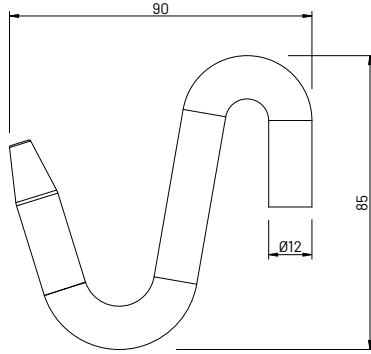
Lashing Hook with Plate Ø10

| Mat (Self Colour) | 450-A11-007 | 0,125 | 150 |
|-------------------|-------------|-------|-----|
| Galvanizli (ZP) | 450-A11-008 | | |


Saclı Kanca Ø12

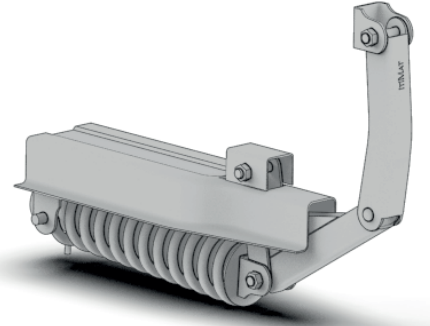
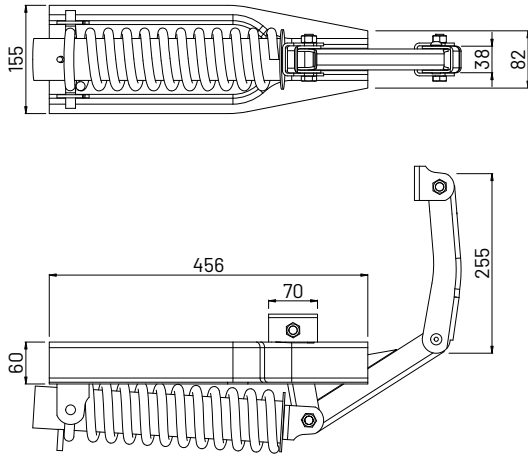
Lashing Hook with Plate Ø12

| Mat (Self Colour) | 450-A11-011 | 0,200 | 100 |
|-------------------|-------------|-------|-----|
| Galvanizli (ZP) | 450-A11-012 | | |



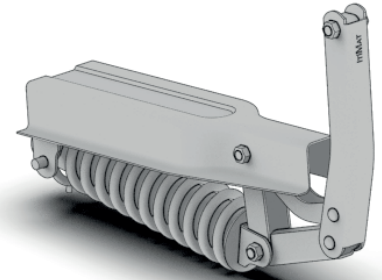
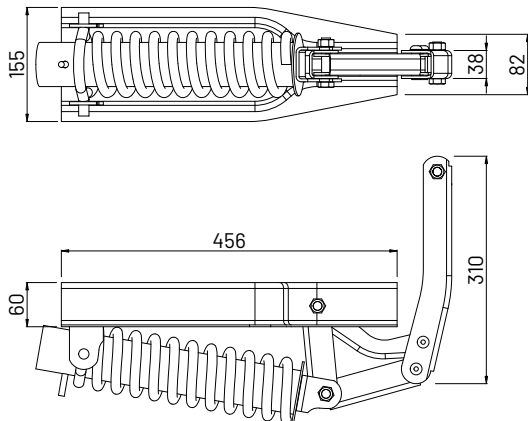
Zincir Kancası
Hook for Chain

| | | |
|-------------|-------|----|
| | | |
| 450-A11-013 | 0,175 | 50 |



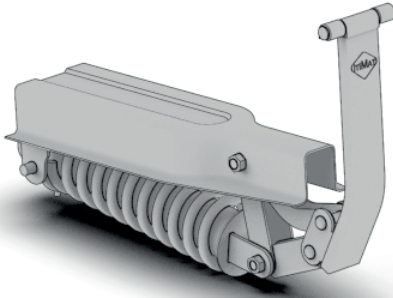
Arka Kapak Yayı
Rear Door Spring

| | |
|-------------|-------|
| | |
| 450-A12-001 | 9,100 |



Yan Kapak Yayı
Side Door Spring

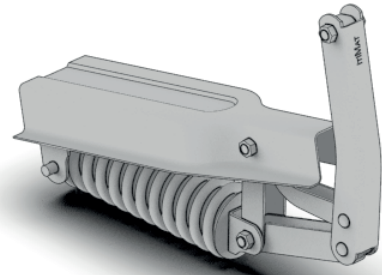
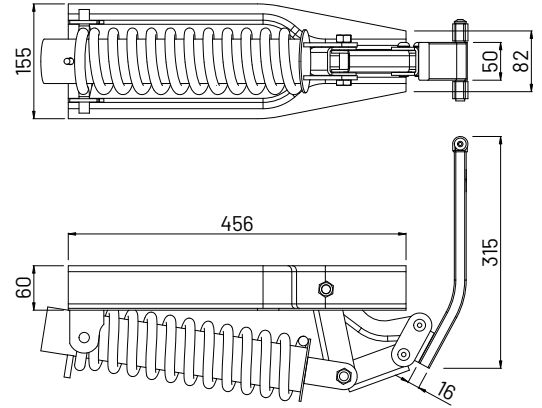
| | |
|-------------|-------|
| | |
| 450-A12-002 | 9,300 |


Yan Kapak Yayı Lamalı
 Side Door Spring


450-A12-003



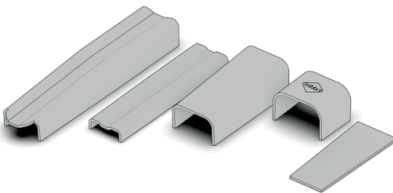
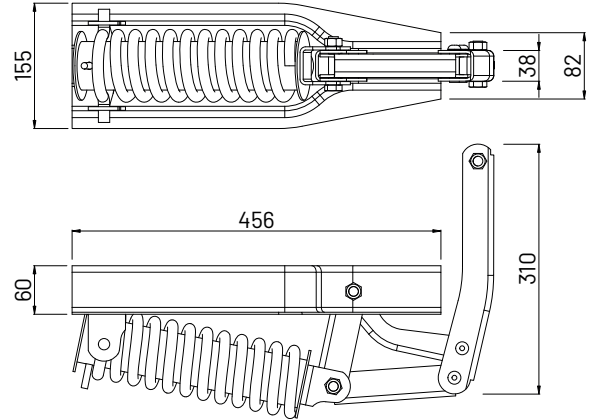
10,000


Dorse Yayı
 Trailer Spring


450-A12-004



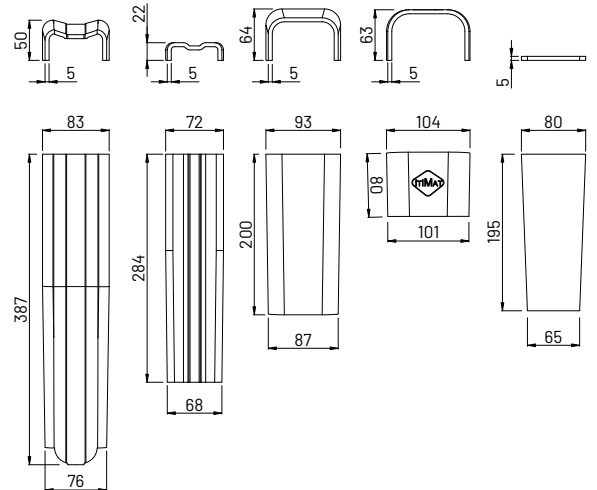
9,100

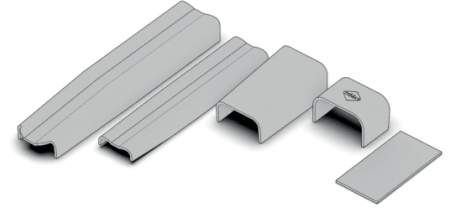
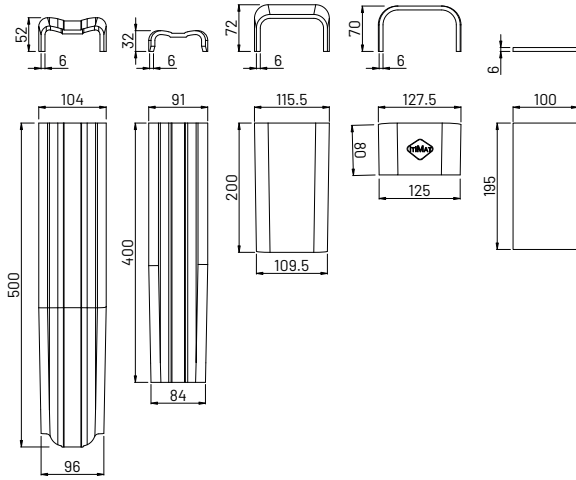

Baba Yatağı 80 mm
 Pillar Socket 80 mm


450-A13-001



6,000





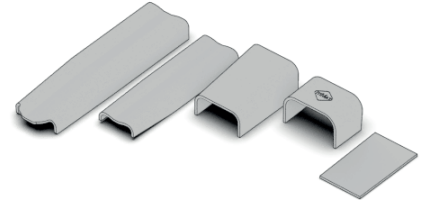
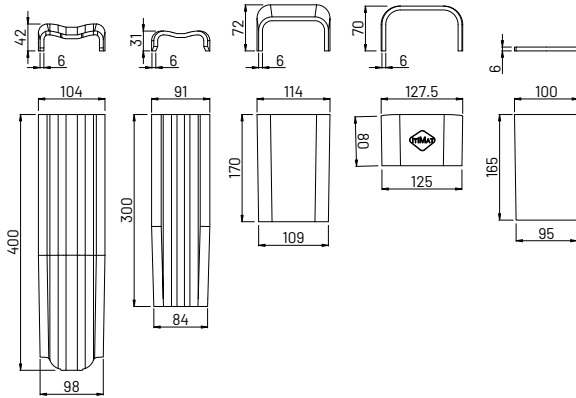
Baba Yatağı 100 mm
Pillar Socket 100 mm



450-A13-007



9.800



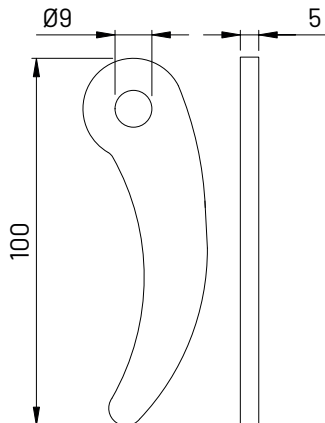
Baba Yatağı 100 mm Dorse
Pillar Socket 100 mm for Trailer



450-A13-013



7.500



Kama Pim Küçük
Wedge



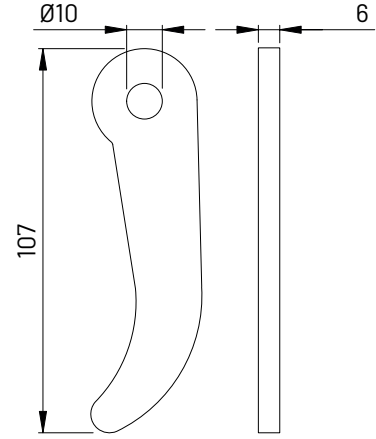
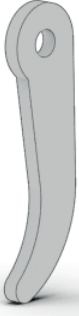
450-A14-001



0,070



500



Kama Pim Büyük

Wedge



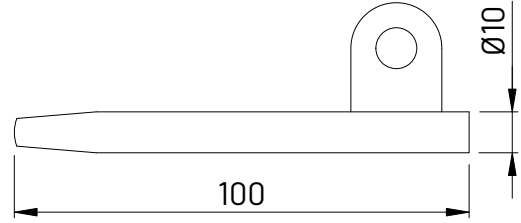
450-A14-002



0,090



250



Yuvarlak Pim

Wedge



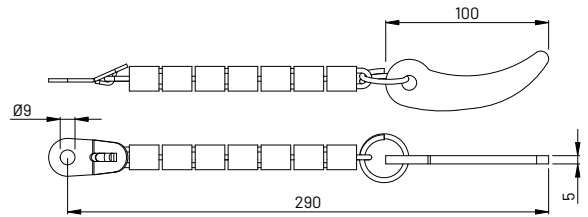
450-A14-003



0,065



250



Römork Pimi Tekli

1-chain Wedge



450-A14-004



0,120

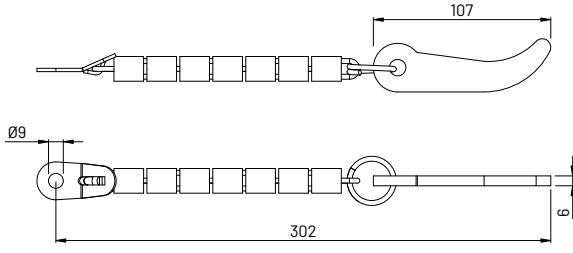


200

Beyaz (White)

Mavi (Blue)

450-A14-005



Tekli Pim

1-chain Wedge

Beyaz (White)
Mavi (Blue)



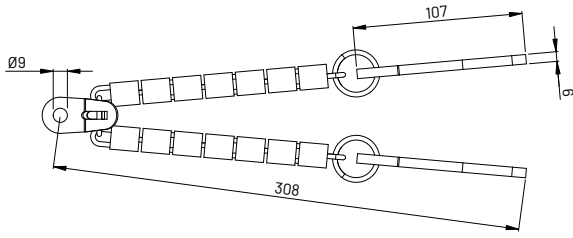
450-A14-006
450-A14-007



0,140



200



Çiftli Pim

2-chain Wedge

Beyaz (White)
Mavi (Blue)



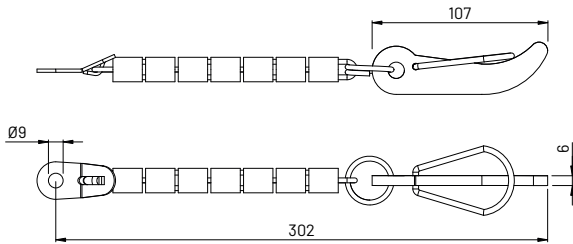
450-A14-008
450-A14-009



0,270



100



Tekli Pim Sekmanlı

1-chain Wedge

Beyaz (White)
Mavi (Blue)



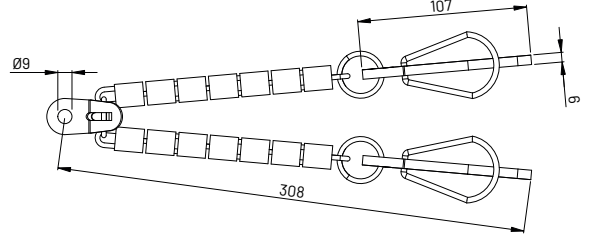
450-A14-010
450-A14-011



0,150

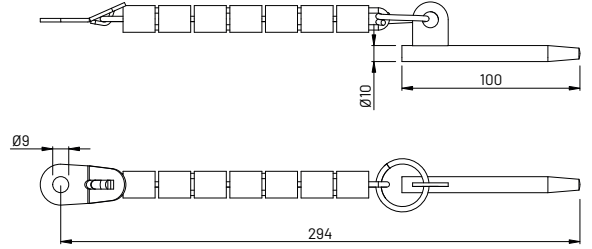


200


Çiftli Pim Sekmanlı

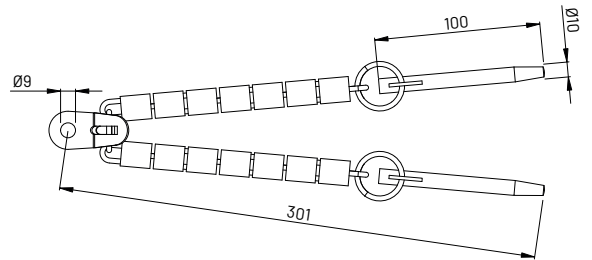
2-chain Wedge

| Beyaz (White) | 450-A14-012 | 0,290 | 100 |
|---------------|-------------|-------|-----|
| Mavi (Blue) | 450-A14-013 | | |


Tekli Pim Yuvarlak

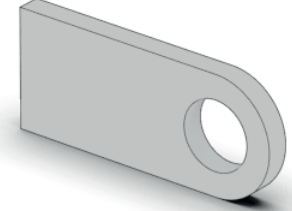
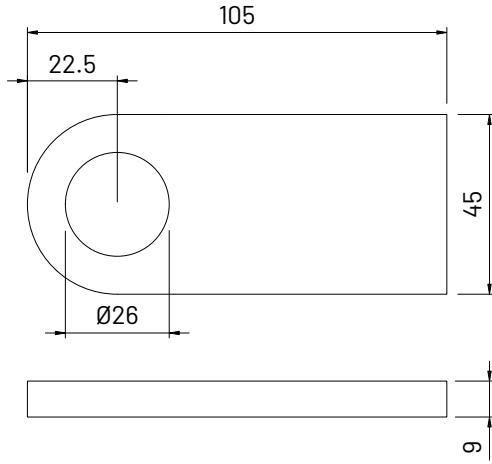
1-chain Wedge

| Beyaz (White) | 450-A14-014 | 0,120 | 200 |
|---------------|-------------|-------|-----|
| Mavi (Blue) | 450-A14-015 | | |


Çiftli Pim Yuvarlak

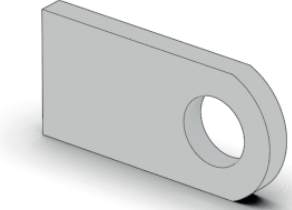
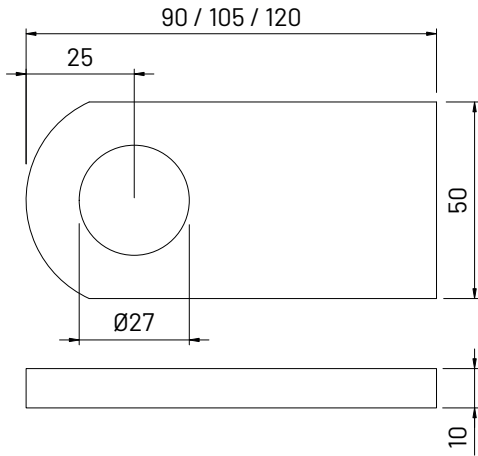
2-chain Wedge

| Beyaz (White) | 450-A14-016 | 0,230 | 100 |
|---------------|-------------|-------|-----|
| Mavi (Blue) | 450-A14-017 | | |

**Lama Geçme 45x105 mm**

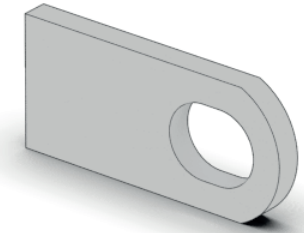
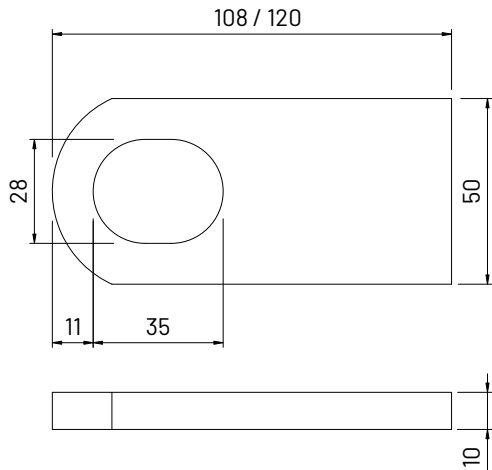
Lama 45x105 mm

| | | |
|-------------|-------|-----|
| | | |
| 450-A15-001 | 0,270 | 100 |

**Lama Geçme 50x10 mm**

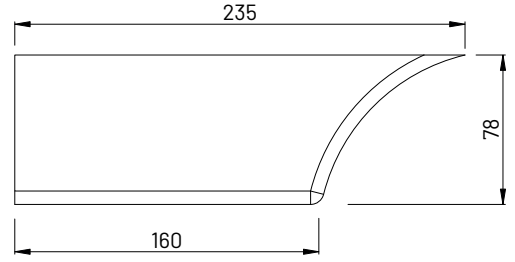
Lama 50x10 mm

| | | | |
|--------|-------------|-------|-----|
| | | | |
| 90 mm | 450-A15-002 | 0,280 | |
| 105 mm | 450-A15-003 | 0,340 | 100 |
| 120 mm | 450-A15-004 | 0,400 | |

**Lama Geçme 50x10 mm Slot Delikli**

Lama 50x10 mm

| | | | |
|--------|-------------|-------|-----|
| | | | |
| 108 mm | 450-A15-006 | 0,350 | |
| 120 mm | 450-A15-007 | 0,390 | 100 |



Etek Sacı Yarım

Open Box Underbody Accessory



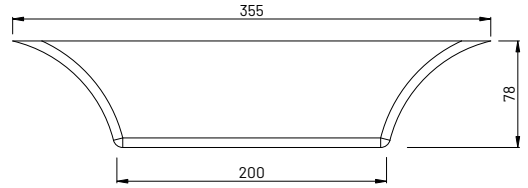
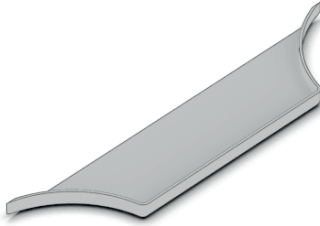
450-A16-001



0,340



50



Etek Sacı Tüm

Open Box Underbody Accessory



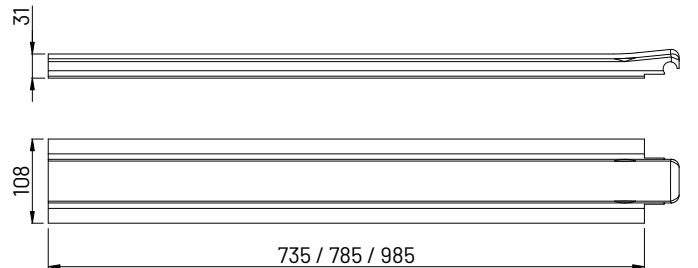
450-A16-002



0,415



50



Kapak Sacı Tekli

Open Box Door Bracket



450-A17-001



1,600

75 cm

450-A17-002

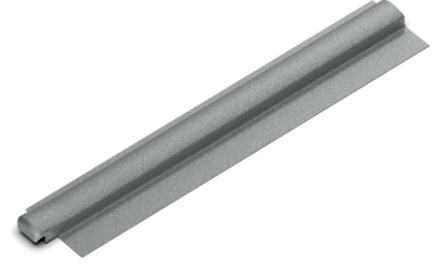
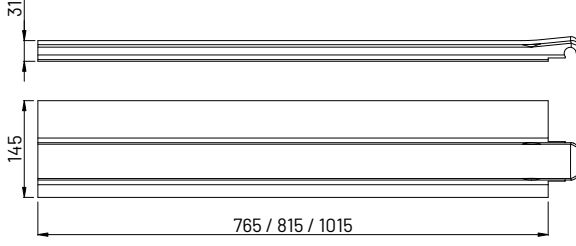
1,800

80 cm

450-A17-003

2,450

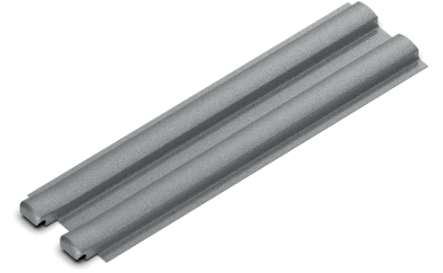
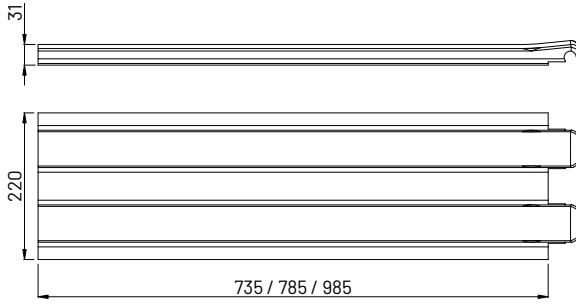
100 cm



Kapak Sacı Kenar

Open Box Door Bracket

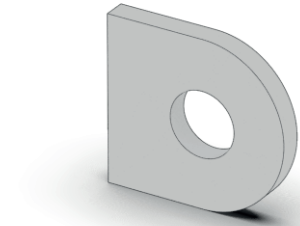
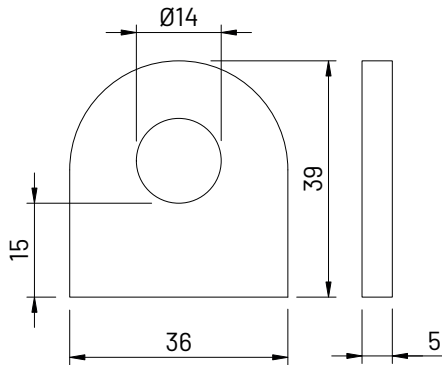
| 75 cm | 450-A17-004 | 1,950 |
|--------|-------------|-------|
| 80 cm | 450-A17-005 | 2,400 |
| 100 cm | 450-A17-006 | 3,100 |



Kapak Sacı Çiftli

Open Box Door Bracket

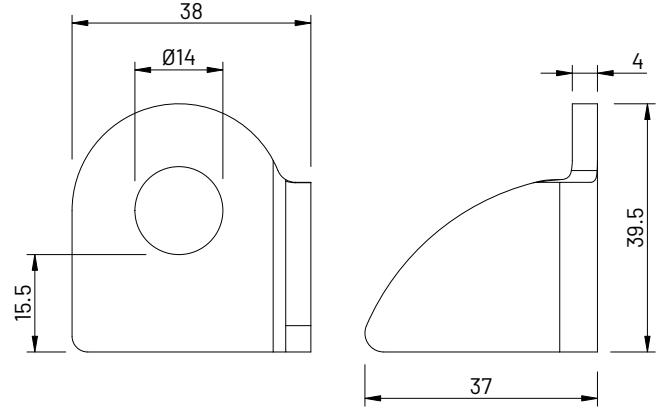
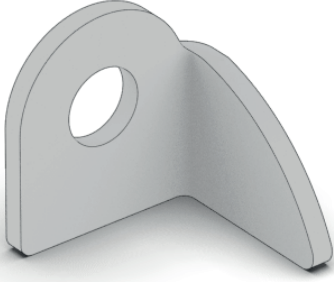
| 75 cm | 450-A17-007 | 3,200 |
|--------|-------------|-------|
| 80 cm | 450-A17-008 | 3,600 |
| 100 cm | 450-A17-009 | 5,000 |



D Mentеше Düz

Open Box Hinge

| 450-A18-001 | 0,040 | 500 | |
|-------------|-------|-----|--|



L Mentşe

Open Box Hinge



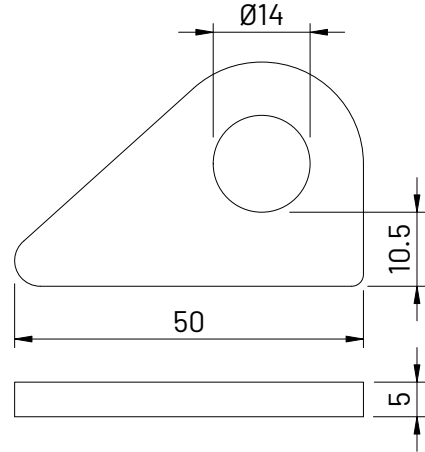
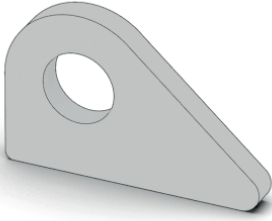
450-A18-002



0,050



500



D Mentşe Küçük

Open Box Hinge



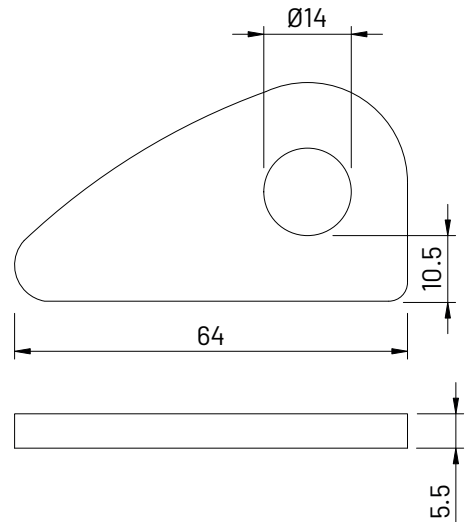
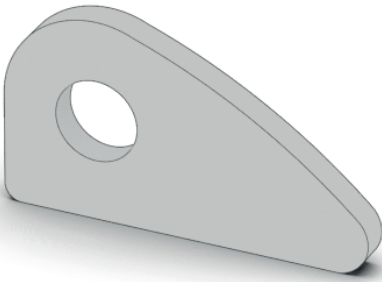
450-A18-003



0,039



500



D Mentşe Büyük

Open Box Hinge



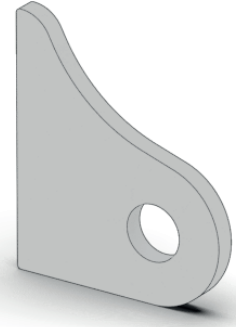
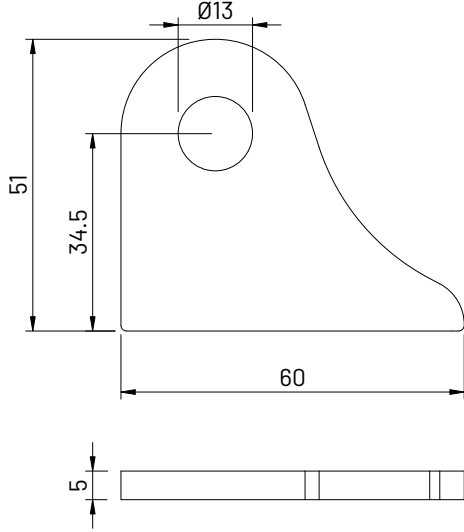
450-A18-004



0,067

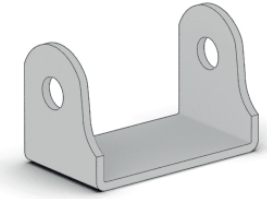
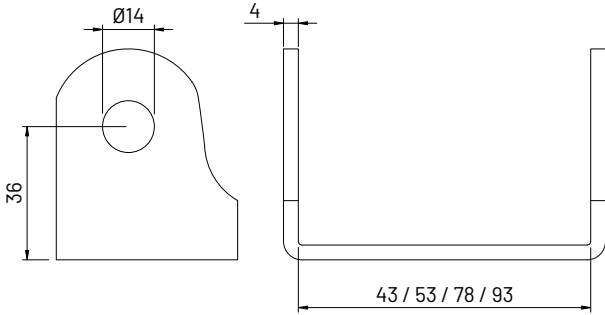


500



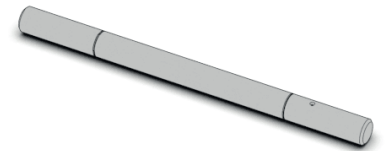
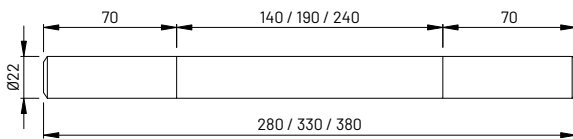
Konya Tipi D Mentefe
Open Box Hinge

| Icon | Icon | Icon |
|-------------|-------|------|
| 450-A18-032 | 0,068 | 500 |



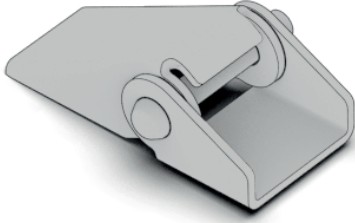
U Mentefe
Open Box Hinge

| Icon | Icon | Icon |
|-------------|-------|------|
| 450-A18-005 | 0,190 | |
| 450-A18-006 | 0,220 | 100 |
| 450-A18-007 | 0,250 | |
| 450-A18-008 | 0,260 | |



İlave Mentefesi
Open Box Hinge

| Icon | Icon | Icon |
|-------------|-------|------|
| 450-A18-009 | 0,800 | |
| 450-A18-010 | 0,950 | 20 |
| 450-A18-011 | 1,100 | |



Sac Kapak Mentеше 3 mm

Open Box Hinge



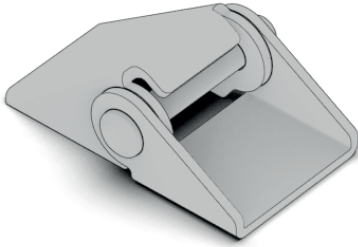
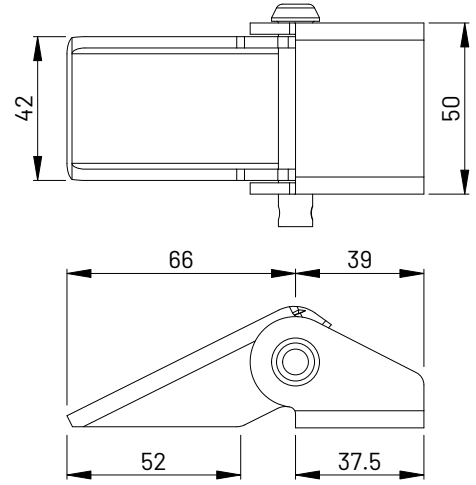
450-A18-012



0,250



75



Sac Kapak Mentеше 4 mm

Open Box Hinge



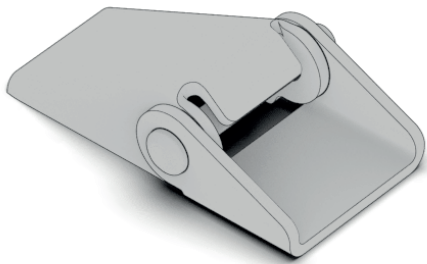
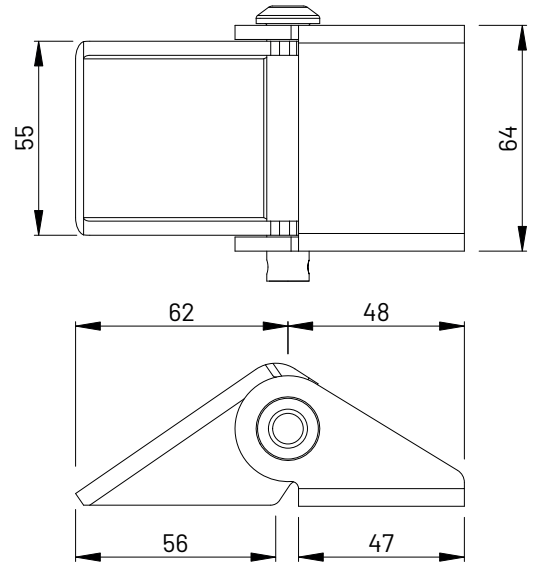
450-A18-013



0,400



75



Büyük Damper Mentешesi

Open Box Hinge



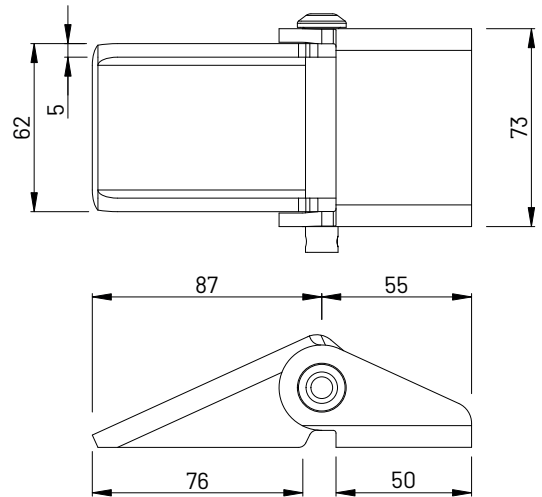
450-A18-014

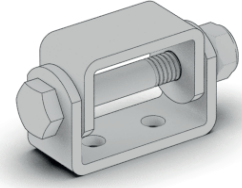
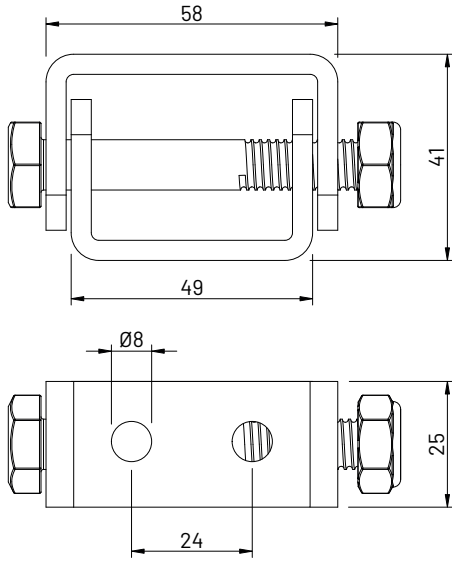


0,680



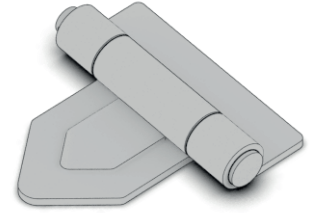
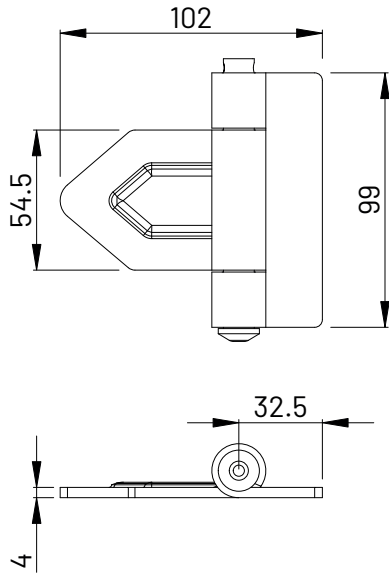
50





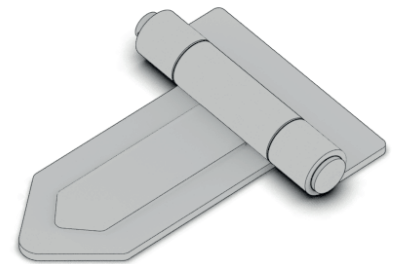
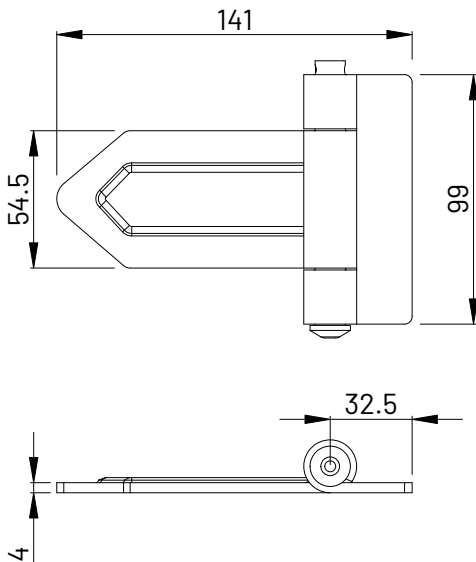
Kamyonet Mentеше
Open Box Hinge

| | | |
|-------------|-------|-----|
| | | |
| 450-A18-015 | 0,200 | 100 |



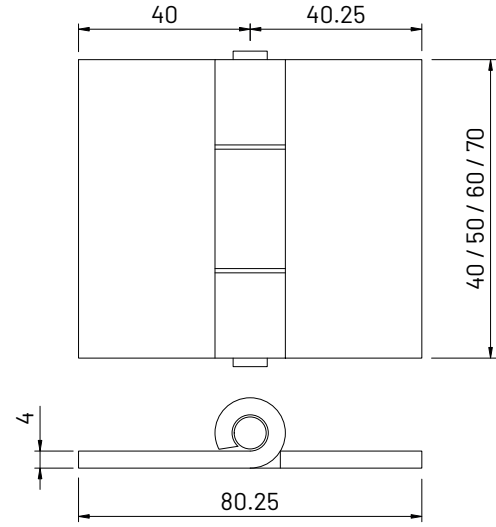
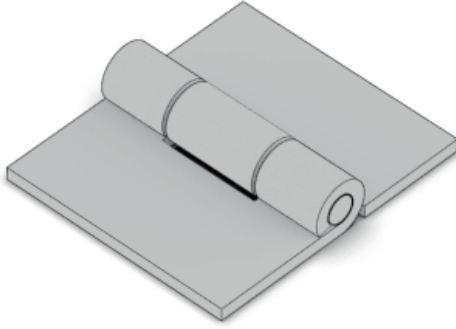
Üçgen Mentеше Kısa
Open Box Hinge

| | | |
|-------------|-------|----|
| | | |
| 450-A18-016 | 0,420 | 50 |



Üçgen Mentеше Uzun
Open Box Hinge

| | | |
|-------------|-------|----|
| | | |
| 450-A18-017 | 0,500 | 50 |


Yaprak Mentеше

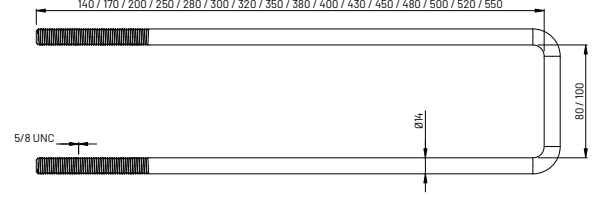
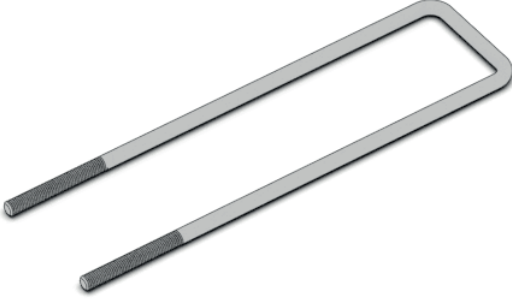
Open Box Hinge

| 40 mm | 450-A18-018 | 0,150 | |
|-------|-------------|-------|-----|
| 50 mm | 450-A18-019 | 0,185 | |
| 60 mm | 450-A18-020 | 0,225 | 100 |
| 70 mm | 450-A18-021 | 0,260 | |


3/4 İnce Dış Bağlantı

Open Box Connection

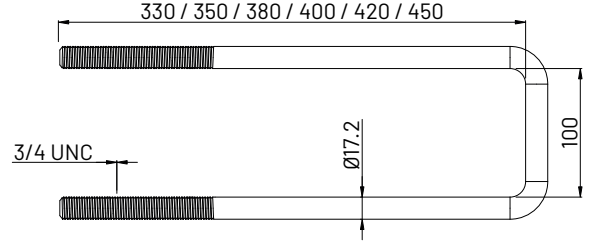
| 33 cm | 450-A19-017 | 1,520 | |
|-------|-------------|-------|----|
| 35 cm | 450-A19-018 | 1,600 | |
| 38 cm | 450-A19-019 | 1,720 | |
| 40 cm | 450-A19-020 | 1,800 | 20 |
| 42 cm | 450-A19-021 | 1,880 | |
| 45 cm | 450-A19-022 | 2,000 | |



5/8 Bağlantı

Open Box Connection

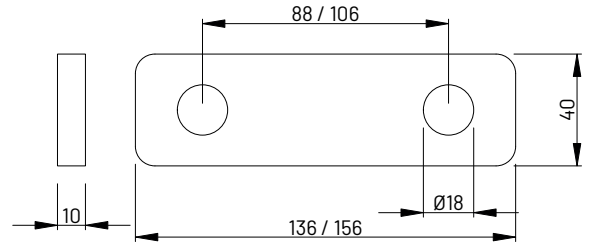
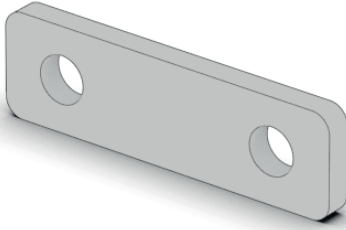
| 14x8 cm | 450-A19-001 | 0,450 | |
|----------|-------------|-------|--|
| 17x8 cm | 450-A19-002 | 0,530 | |
| 20x8 cm | 450-A19-003 | 0,600 | |
| 25x8 cm | 450-A19-004 | 0,730 | |
| 28x8 cm | 450-A19-005 | 0,800 | |
| 30x8 cm | 450-A19-006 | 0,850 | |
| 32x8 cm | 450-A19-007 | 0,900 | |
| 35x8 cm | 450-A19-008 | 0,980 | |
| 38x10 cm | 450-A19-009 | 1,080 | |
| 40x10 cm | 450-A19-010 | 1,130 | |
| 43x10 cm | 450-A19-011 | 1,200 | |
| 45x10 cm | 450-A19-012 | 1,250 | |
| 48x10 cm | 450-A19-013 | 1,320 | |
| 50x10 cm | 450-A19-014 | 1,370 | |
| 52x10 cm | 450-A19-015 | 1,420 | |
| 55x10 cm | 450-A19-016 | 1,500 | |



3/4 Kalın Diş Bağlantı

Open Box Connection

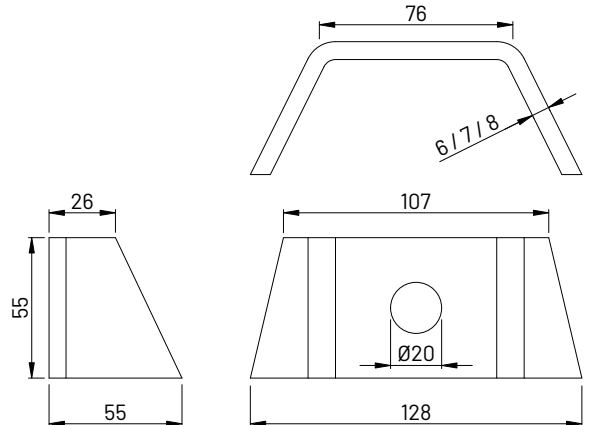
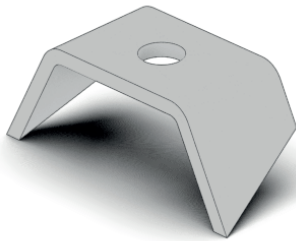
| 33 cm | 450-A19-023 | 1,400 | |
|-------|-------------|-------|----|
| 35 cm | 450-A19-024 | 1,470 | |
| 38 cm | 450-A19-025 | 1,580 | |
| 40 cm | 450-A19-026 | 1,650 | 20 |
| 42 cm | 450-A19-027 | 1,730 | |
| 45 cm | 450-A19-028 | 1,840 | |



Bağlantı Keleçesi

Open Box Connecting Clamp

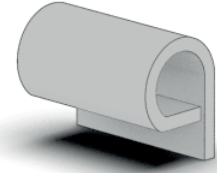
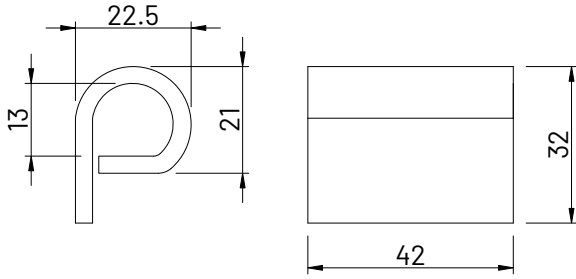
| Dar (Small) | 450-A19-029 | 0,370 | 100 |
|---------------|-------------|-------|-----|
| Geniş (Large) | 450-A19-030 | 0,440 | |



Braket

Open Box Connecting Bracket

| 6 mm | 450-A19-031 | 0,380 | |
|------|-------------|-------|----|
| 7 mm | 450-A19-037 | 0,440 | 50 |
| 8 mm | 450-A19-032 | 0,510 | |



P Boru Kısa
Pipe for Open Box



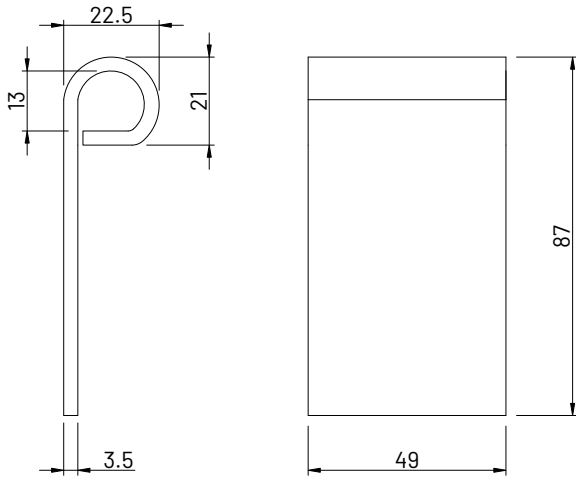
450-A20-001



0,080



250



P Boru Uzun Düz
Pipe for Open Box



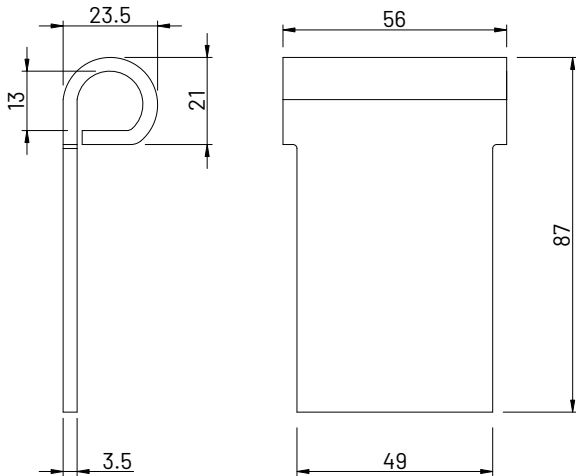
450-A20-002



0,165



150



P Boru Faturalı
Pipe for Open Box



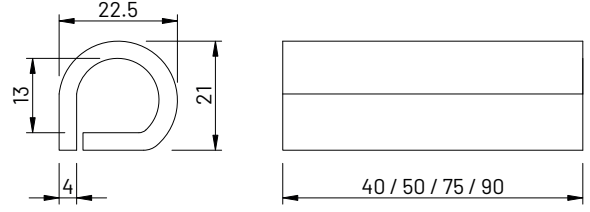
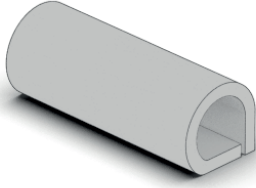
450-A20-003



0,180

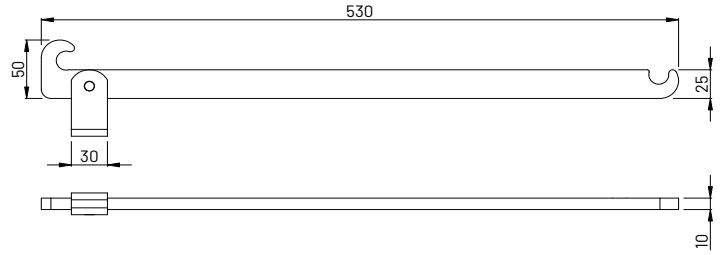


150


Armut Boru

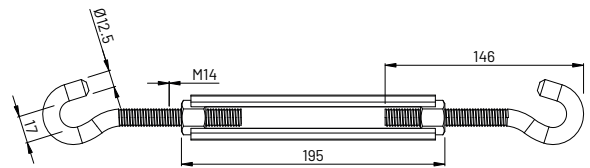
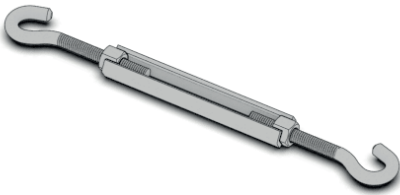
Pipe for Open Box

| 40 mm | 450-A20-004 | 0,070 | |
|-------|-------------|-------|-----|
| 50 mm | 450-A20-005 | 0,088 | 250 |
| 75 mm | 450-A20-006 | 0,140 | |
| 90 mm | 450-A20-007 | 0,165 | 150 |


Lama Gerdirme

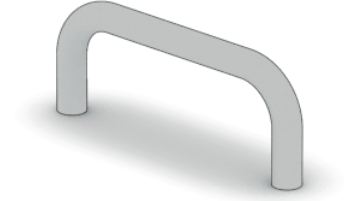
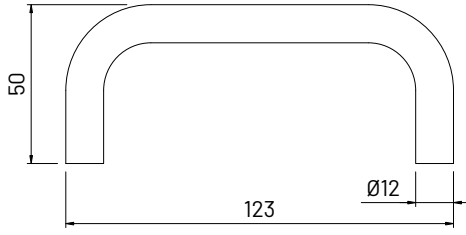
Stretcher

| 450-A21-001 | | 1,050 |
|-------------|--|-------|


M14 Gerdirme

Turnbuckle

| 450-A21-005 | | 0,650 | 50 |
|-------------|--|-------|----|



EI Tutamağı Sacsız
Pull Handle without Plate



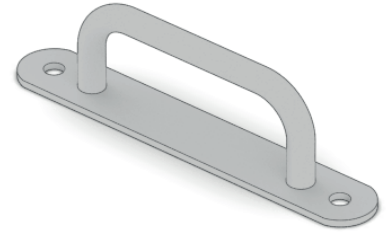
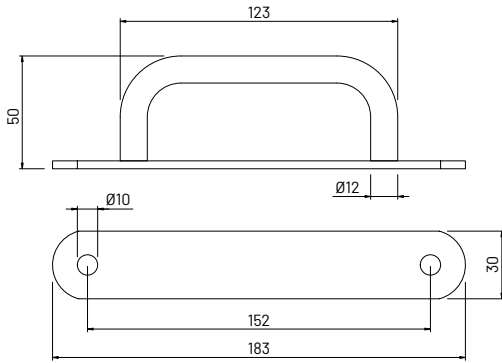
450-A21-006



0,170



50



EI Tutamağı Saclı Galvenizli
Galvanized Pull Handle with Plate



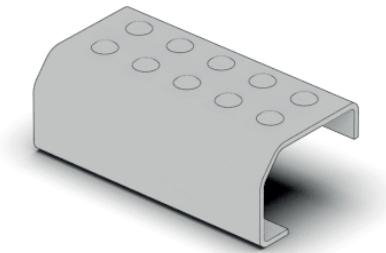
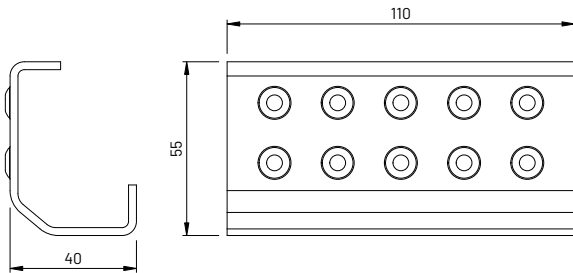
450-A21-007



0,270



50



Ayak Basamağı
Step



450-A21-008



0,210

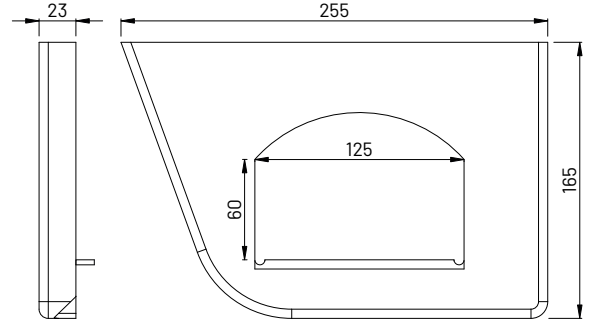
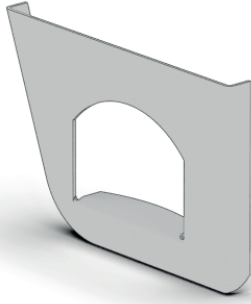


100

Mat (Self Colour)

Galvanizli (ZP)

450-A21-009



Kamyonet Ayak Basamağı

Step



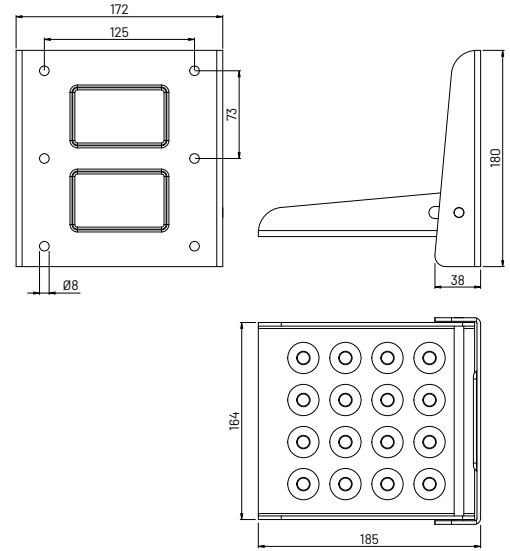
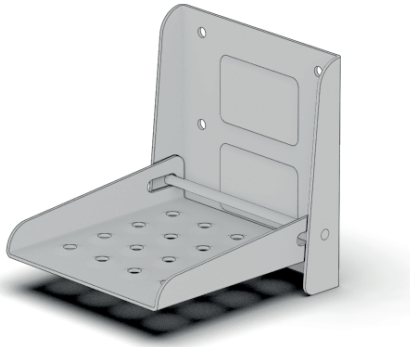
450-A21-010



0,600



50



Açılır Ayak Basamağı

Folding Step



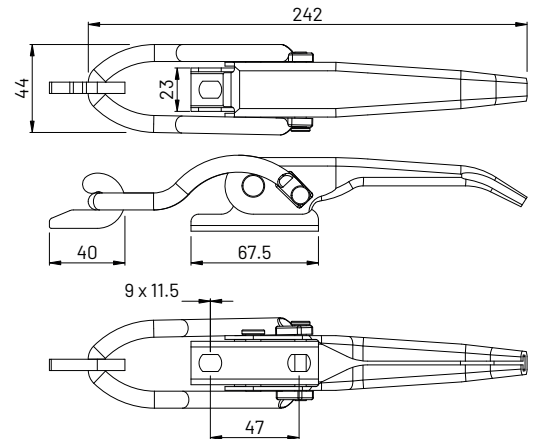
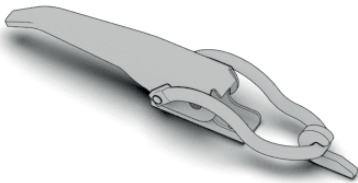
450-A21-011



1,800



15



Mekanik Kol

Fastener



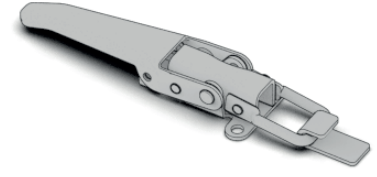
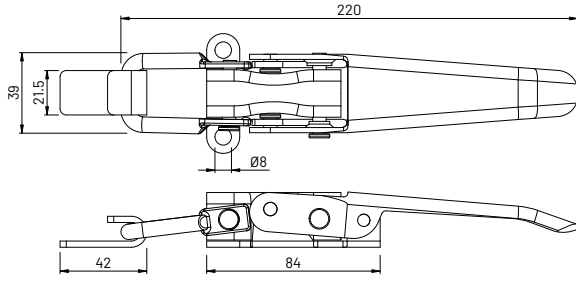
450-A21-012



0,360



50

**Mekanik Kol Yeni**

Fastener



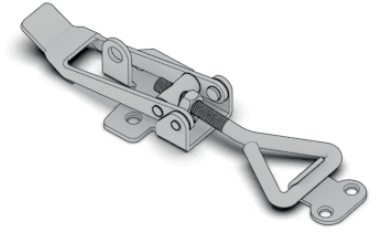
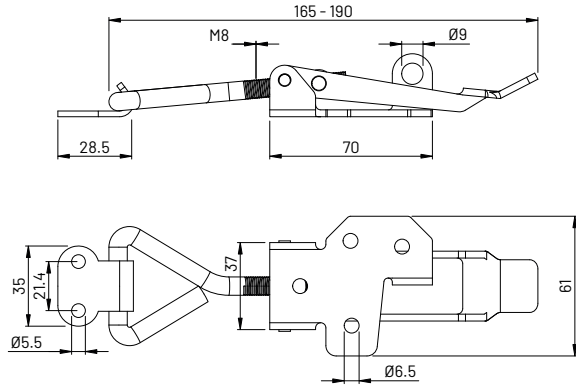
450-A21-013



0,390



50

**Vidalı Mekanik Kol**

Fastener



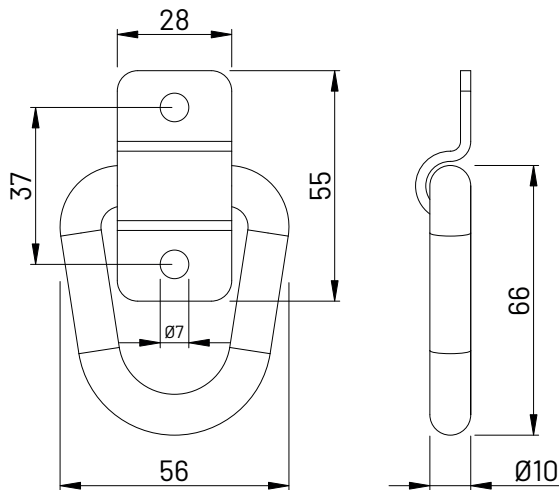
450-A21-024



0,250



100

**Halka Sallama Küçük Flanşlı**

Lashing Ring Ø10



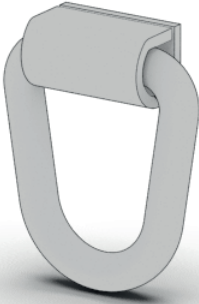
450-A21-014



0,130



100


Halka Sallama Küçük Borulu

Lashing Ring Ø10



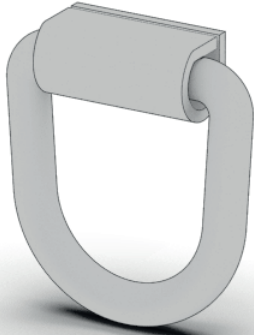
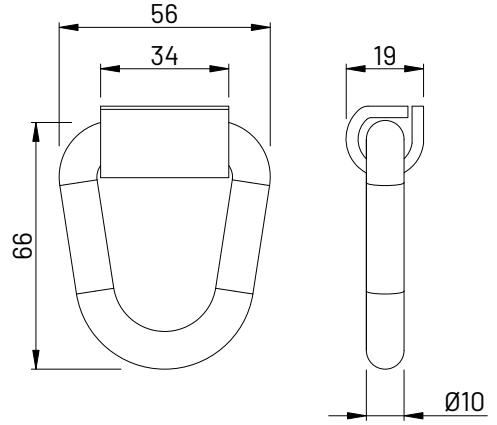
450-A21-015



0,140



100


Halka Sallama Büyük Borulu

Lashing Ring Ø12



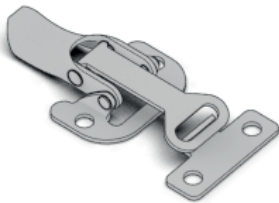
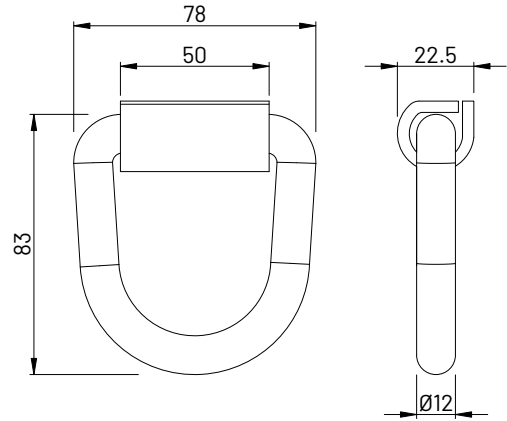
450-A21-016



0,300



100


Kaput Kilidi Küçük

Fastener



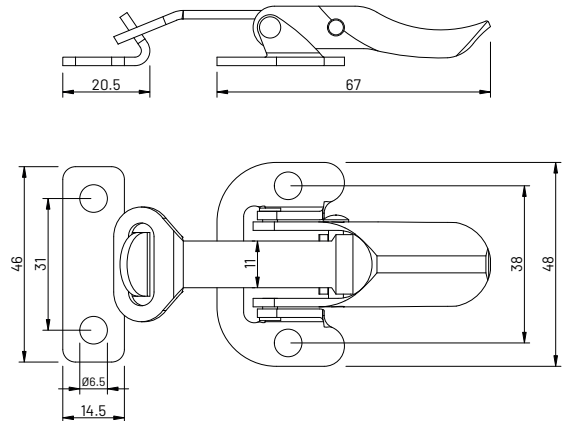
450-A21-017

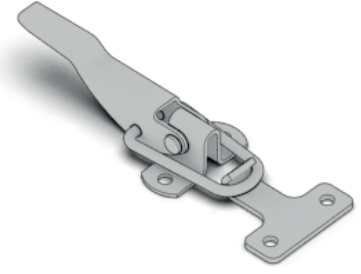
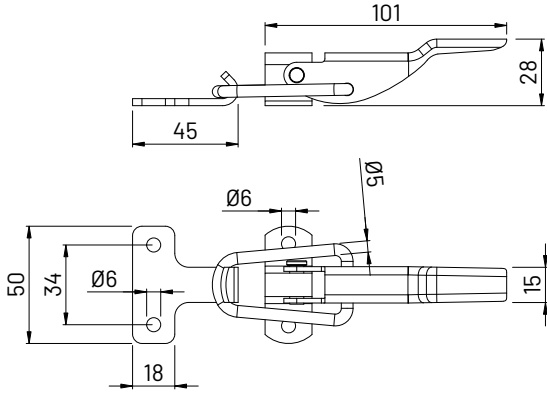


0,062



150



**Kaput Kilidi Büyük**

Fastener



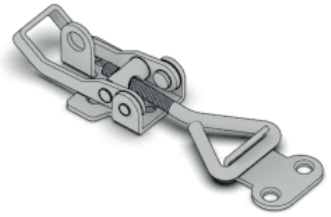
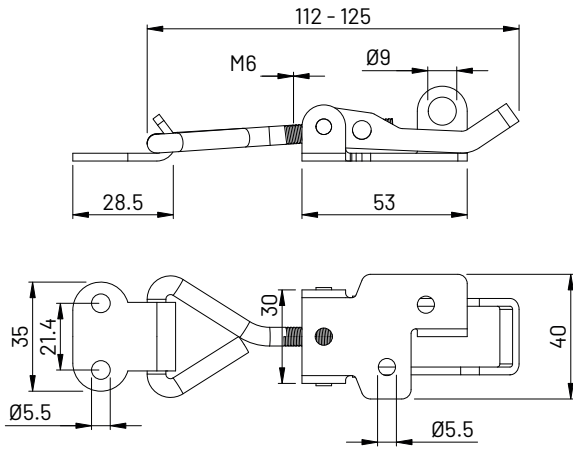
450-A21-018



0,125



150

**Vidalı Kaput Kilidi**

Fastener



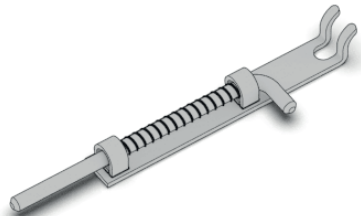
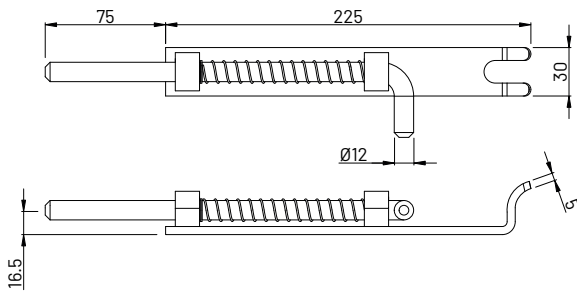
450-A21-025



0,125



150

**Yaylı Kapak Sürgüsü**

Spring Latch



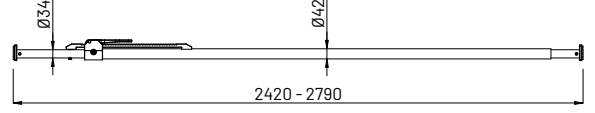
450-A21-022



0,560



50



Kargo Tutucu Frigo

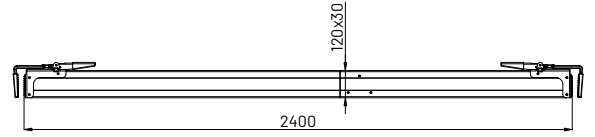
Cargo Restraint Bar



450-F10-001



4,400



Kargo Tutucu Tenteli

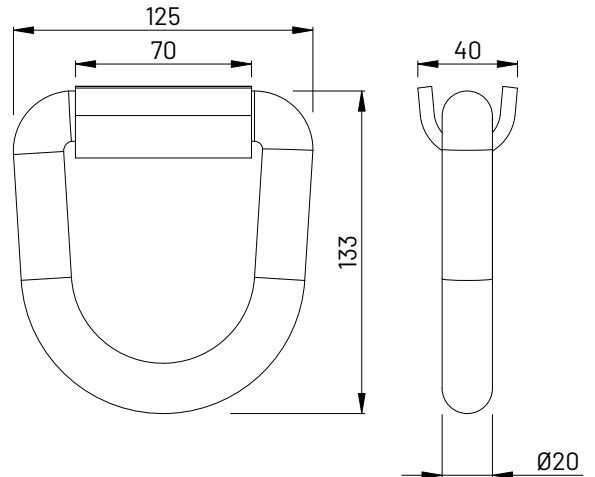
Cargo Restraint Bar



450-F10-003



8,000



Ro-ro Halkası

Ro-ro Ring



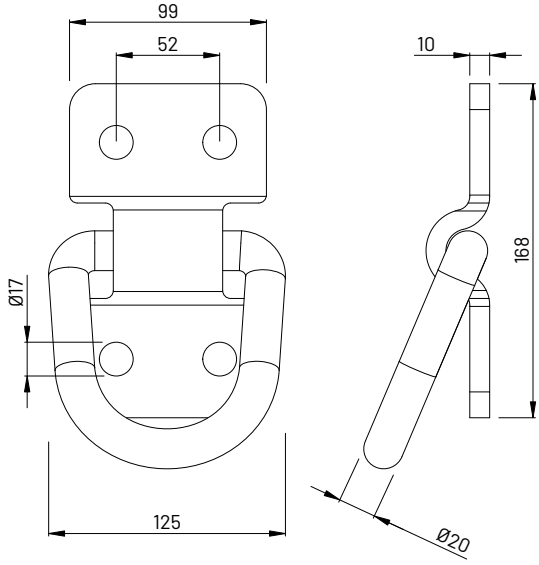
450-F11-001



1,200

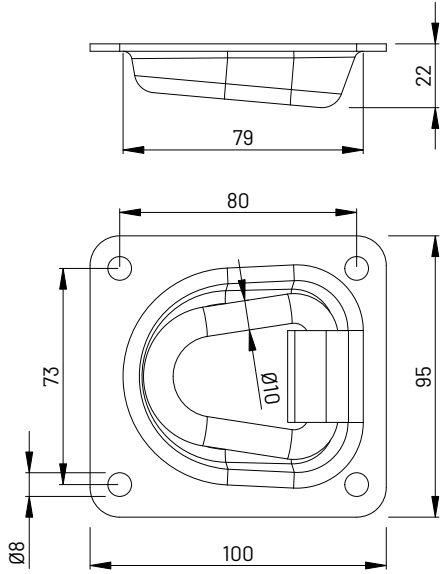


20



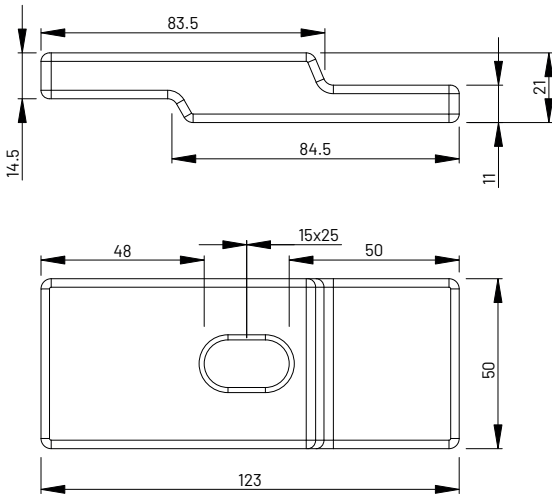
Ro-ro Halkası Flanşlı
Ro-ro Ring

| | | |
|-------------|-------|----|
| | | |
| 450-F11-002 | 2,000 | 20 |



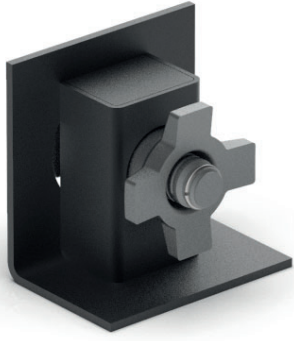
Gömme Sallama
Lashing Ring

| | | |
|-------------|-------|----|
| | | |
| 450-F11-003 | 0,320 | 50 |



Bağlantı Braketi Dövme
Forged Fixing Bracket

| | | |
|-------------|-------|----|
| | | |
| 450-F18-001 | 0,650 | 50 |



Konteyner Kilidi Küçük

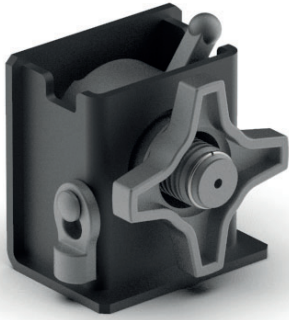
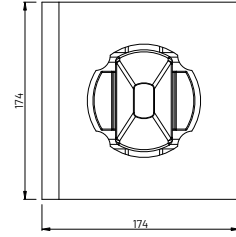
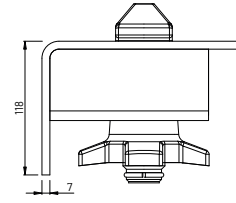
Container Lock Small



450-F12-001



6.500



Konteyner Kilidi Büyük

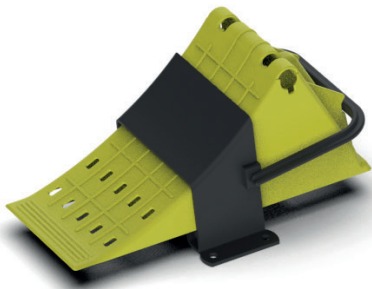
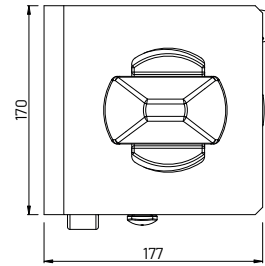
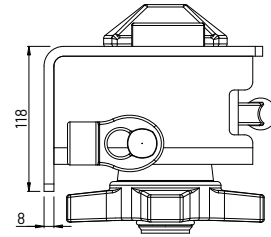
Container Lock Large



450-F12-002



13.000



Teker Takozu

Wheel Chock



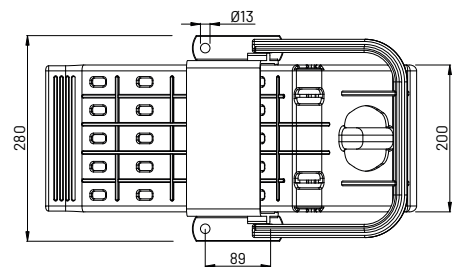
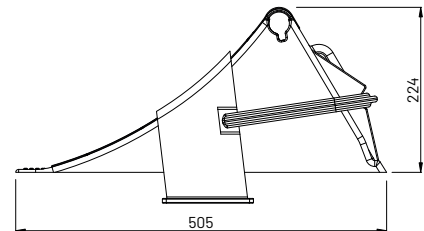
450-F13-001

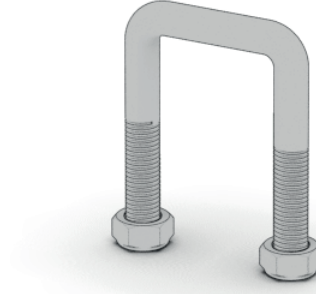
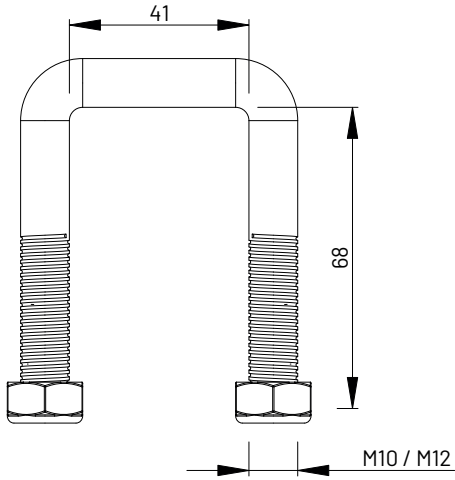


2.500



2

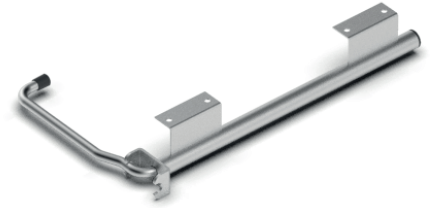
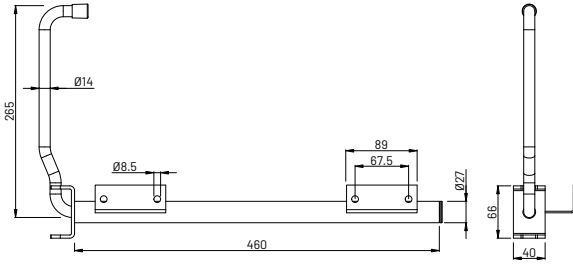




Spanzet Bağlantı

Connecting Ring

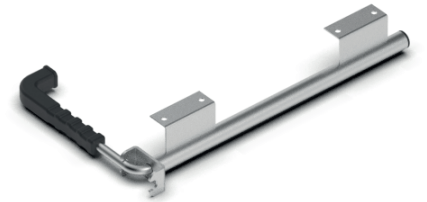
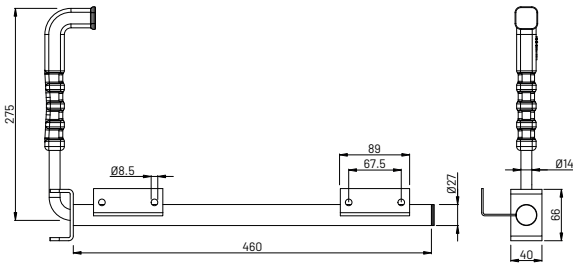
| | 📄 | ⚖️ | 📦 |
|-----|-------------|-------|-----|
| M10 | 450-F14-001 | 0,110 | 250 |
| M12 | 450-F14-002 | 0,140 | 150 |



Kapı Tutucu Küçük Plastiksiz

Door Retainer

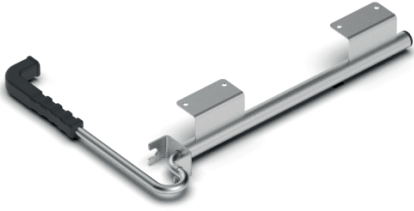
| | 📄 | ⚖️ | 📦 |
|-------------|---|-------|----|
| 450-F15-001 | | 1,900 | 10 |



Kapı Tutucu Küçük Plastikli

Door Retainer

| | 📄 | ⚖️ | 📦 |
|-------------|---|-------|----|
| 450-F15-005 | | 2,000 | 10 |



Kapı Tutucu Büyük Plastikli

Door Retainer



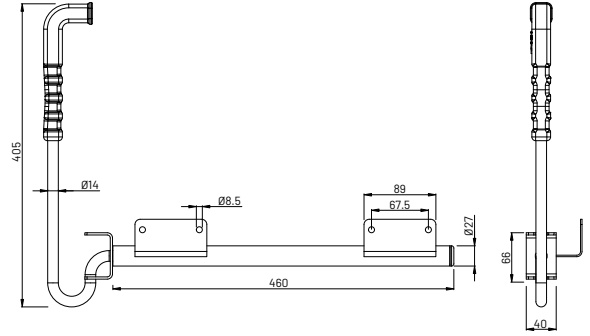
450-F15-004



2,100



10



Küçük İstinat

Door Retainer



450-F15-002



0,120

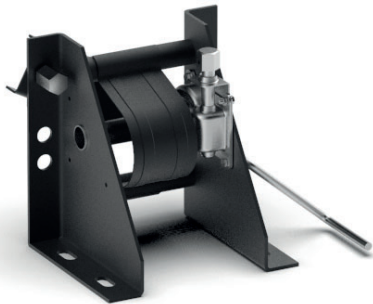
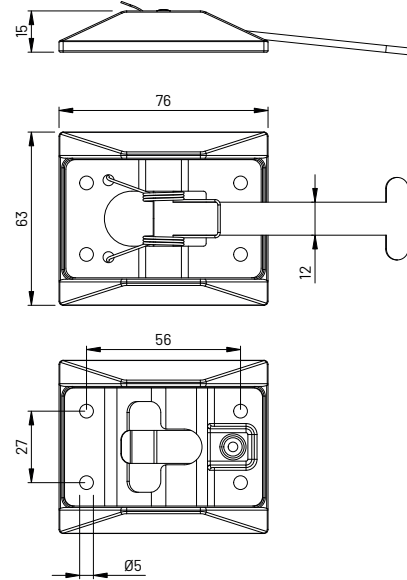


50

Galvanizli (ZP)

Krom (SS)

450-F15-003



Stepne Taşıyıcı Sargılı Küçük

Spare Wheel Carrier



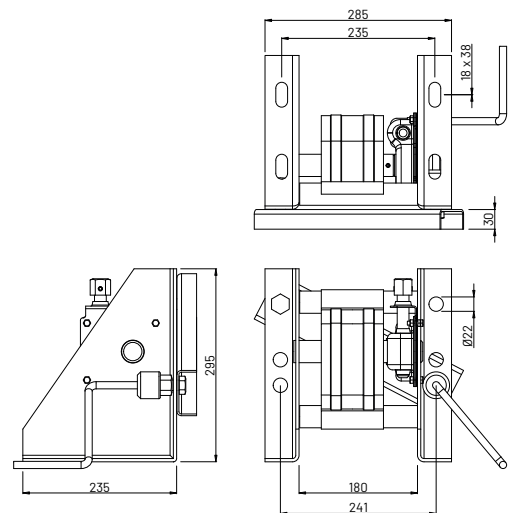
450-F16-001

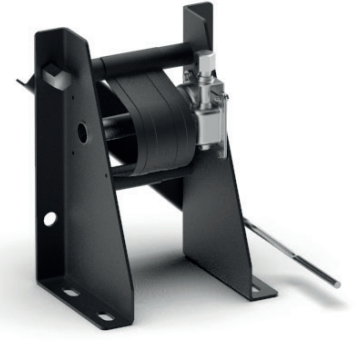
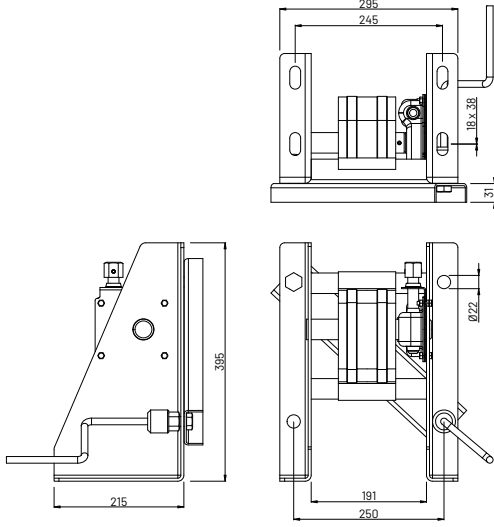


10,000



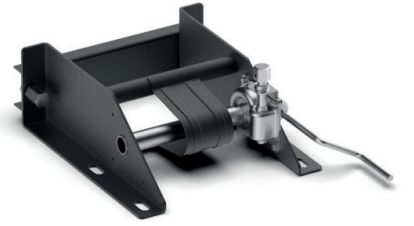
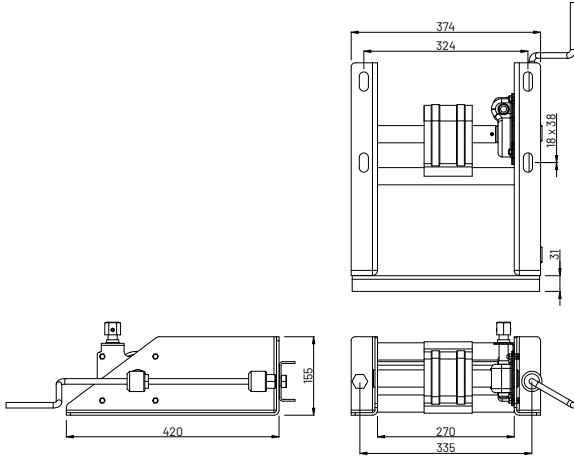
2





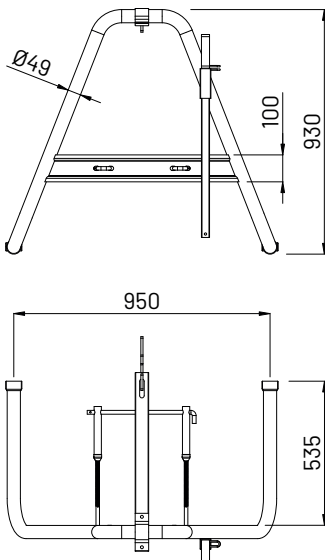
Stepne Taşıyıcı Sargılı Büyük
Spare Wheel Carrier

| | | |
|-------------|--------|---|
| | | |
| 450-F16-002 | 10,500 | 2 |



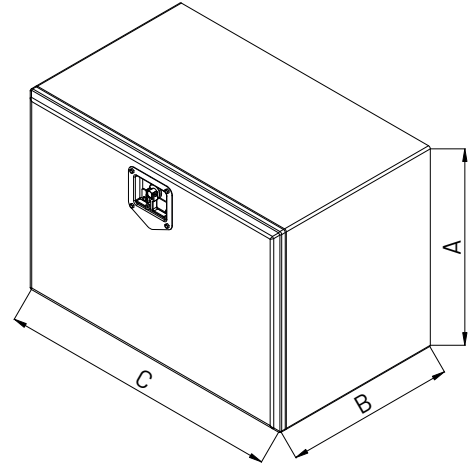
Stepne Taşıyıcı Sargılı Dorse
Spare Wheel Carrier

| | | |
|-------------|--------|---|
| | | |
| 450-F16-003 | 10,500 | 2 |



Stepne Taşıyıcı Borulu Dorse
Tubular Spare Wheel Carrier

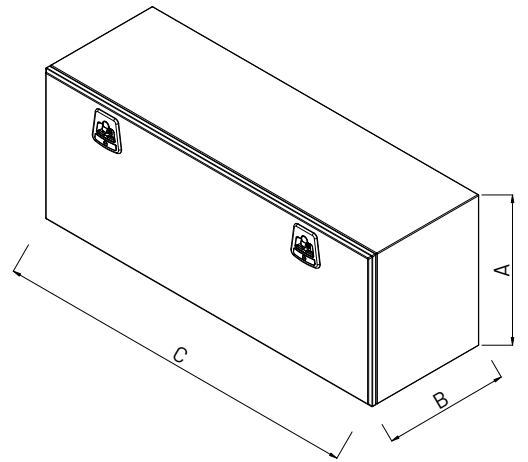
| | |
|-------------|--------|
| | |
| 450-F16-004 | 18,000 |



Takım Dolabı Metal

Metal Toolbox

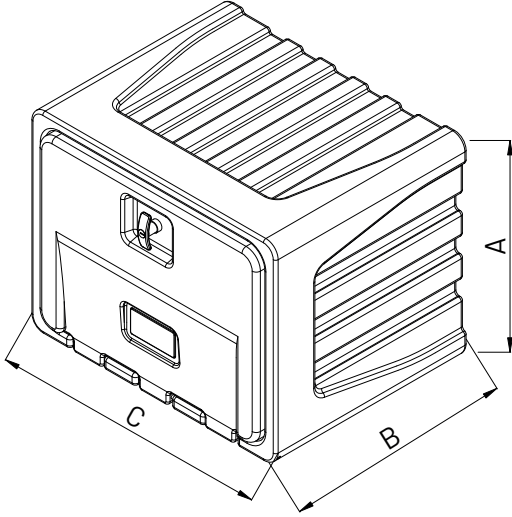
| A/B/C | | |
|--|-------------|--------|
| 45x45x45 cm Tek Kilit (45x45x45 cm Single Lock) | 450-N10-001 | 10,000 |
| 48x42x60 cm Tek Kilit (48x42x60 cm Single Lock) | 450-N10-002 | 12,300 |
| 48x42x70 cm Tek Kilit (48x42x70 cm Single Lock) | 450-N10-003 | 14,800 |
| 48x42x80 cm Tek Kilit (48x42x80 cm Single Lock) | 450-N10-004 | 16,300 |
| 48x42x90 cm Tek Kilit (48x42x90 cm Single Lock) | 450-N10-005 | 17,800 |
| 48x42x100 cm Tek Kilit (48x42x100 cm Single Lock) | 450-N10-006 | 21,500 |
| 48x42x120 cm Tek Kilit (48x42x120 cm Single Lock) | 450-N10-007 | 25,500 |
| 48x42x150 cm Çift Kilit (48x42x150 cm Double Lock) | 450-N10-008 | 28,200 |



Takım Dolabı Metal

Metal Toolbox

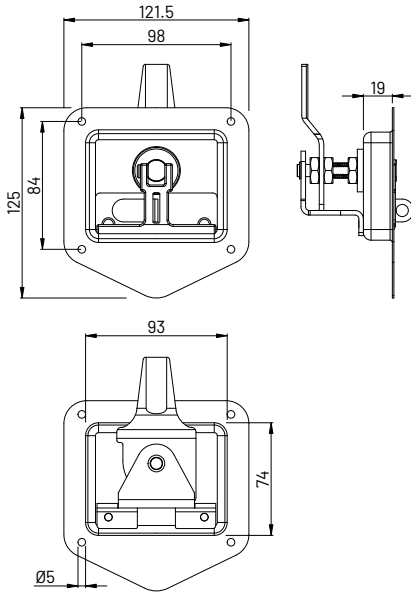
| A/B/C | | |
|--|-------------|--------|
| 54x42x100 cm Tek Kilit (54x42x100 cm Single Lock) | 450-N10-016 | 28,000 |
| 60x50x100 cm Tek Kilit (60x50x100 cm Single Lock) | 450-N10-017 | 45,000 |
| 54x42x120 cm Tek Kilit (54x42x120 cm Single Lock) | 450-N10-018 | 32,000 |
| 60x50x120 cm Çift Kilit (60x50x120 cm Double Lock) | 450-N10-019 | 50,000 |
| 54x42x150 cm Çift Kilit (54x42x150 cm Double Lock) | 450-N10-020 | 35,000 |
| 60x50x150 cm Çift Kilit (60x50x150 cm Double Lock) | 450-N10-021 | 60,000 |



Takım Dolabı Plastik

Plastic Toolbox

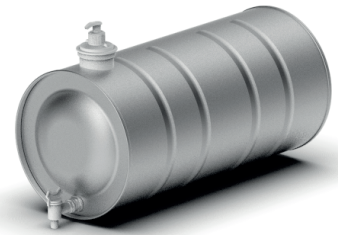
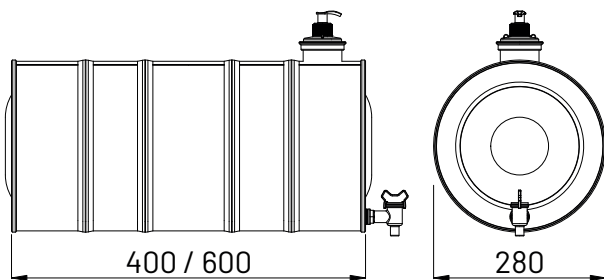
| A/B/C | | |
|--|-------------|-------|
| 39x38x40 cm Tek Kilit (39x38x40 cm Single Lock) | 450-N10-014 | 4,000 |
| 39x37x48 cm Tek Kilit (39x37x48 cm Single Lock) | 450-N10-009 | 4,800 |
| 46x46x58 cm Tek Kilit (46x46x58 cm Single Lock) | 450-N10-010 | 7,500 |
| 50x48x80 cm Çift Kilit (50x48x80 cm Double Lock) | 450-N10-011 | 9,500 |



Dolap Kilidi Asma Kilitli

Toolbox Lock, Padlock Operated

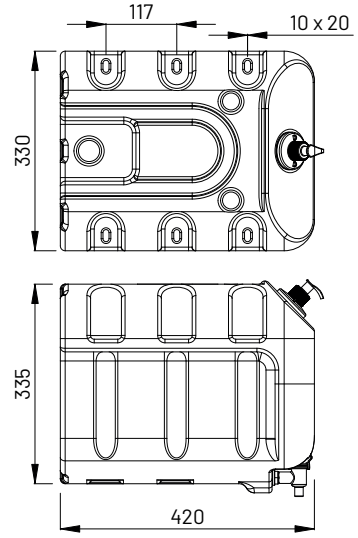
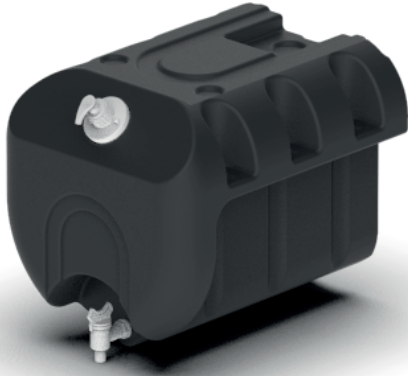
| Galvanizli (ZP) | 450-N11-001 | 0.500 | |
|-----------------|-------------|-------|----|
| Krom (SS) | 450-N11-002 | 0.500 | 25 |



Su Deposu Metal

Metal Water Tank

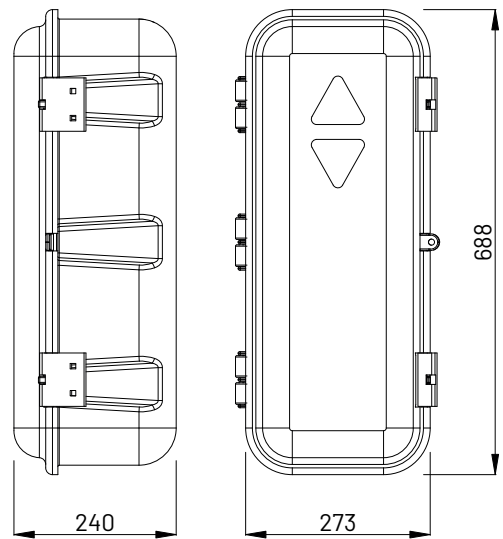
| 25 L Galvanizli (25 L ZP) | 450-N12-001 | 2,600 |
|---------------------------|-------------|-------|
| 25 L Krom (25 L SS) | 450-N12-002 | |
| 35 L Galvanizli (35 L ZP) | 450-N12-003 | 3,400 |
| 35 L Krom (35 L SS) | 450-N12-004 | |

**Su Deposu Plastik 30 L**
Plastic Water Tank 30 L

450-N12-007



2.600

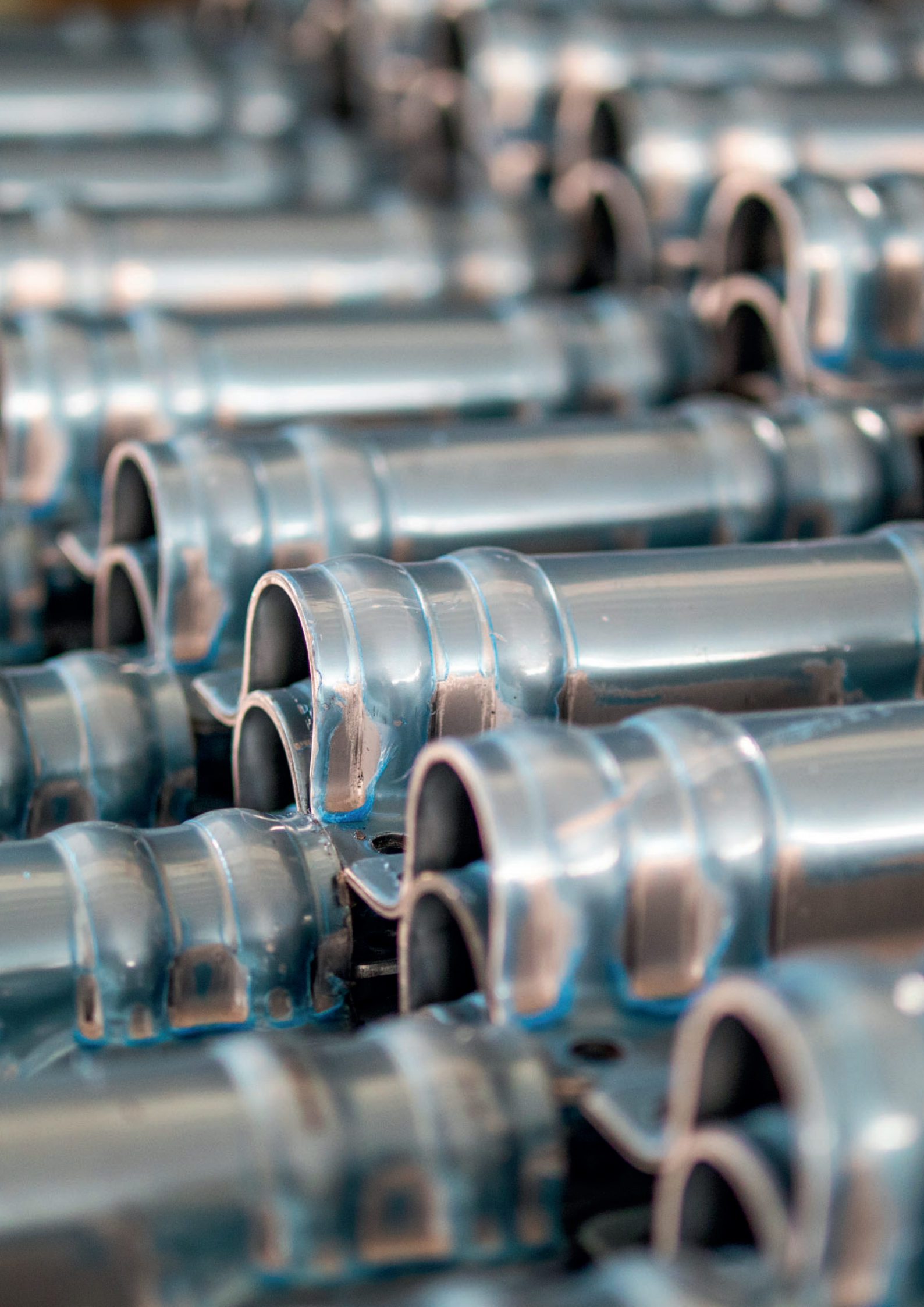
**Yangın Tüpü Dolabı**
Box for Extinguisher

450-N15-001



3.300







Organize Sanayi Bölgesi 2. Cad. No:21
Merkez / NEVŞEHİR / TÜRKİYE



+90 (384) 242 91 52



+90 (384) 242 91 56



itimat@itimatotomotiv.com.tr

www.itimatotomotiv.com.tr

ASİSTANIN